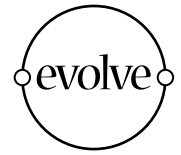


Panel Disassembly

Module Removal



Description

Disassembly of an Evolve panel can be done on site. The panel must first be removed from the panel run and turned on its side.

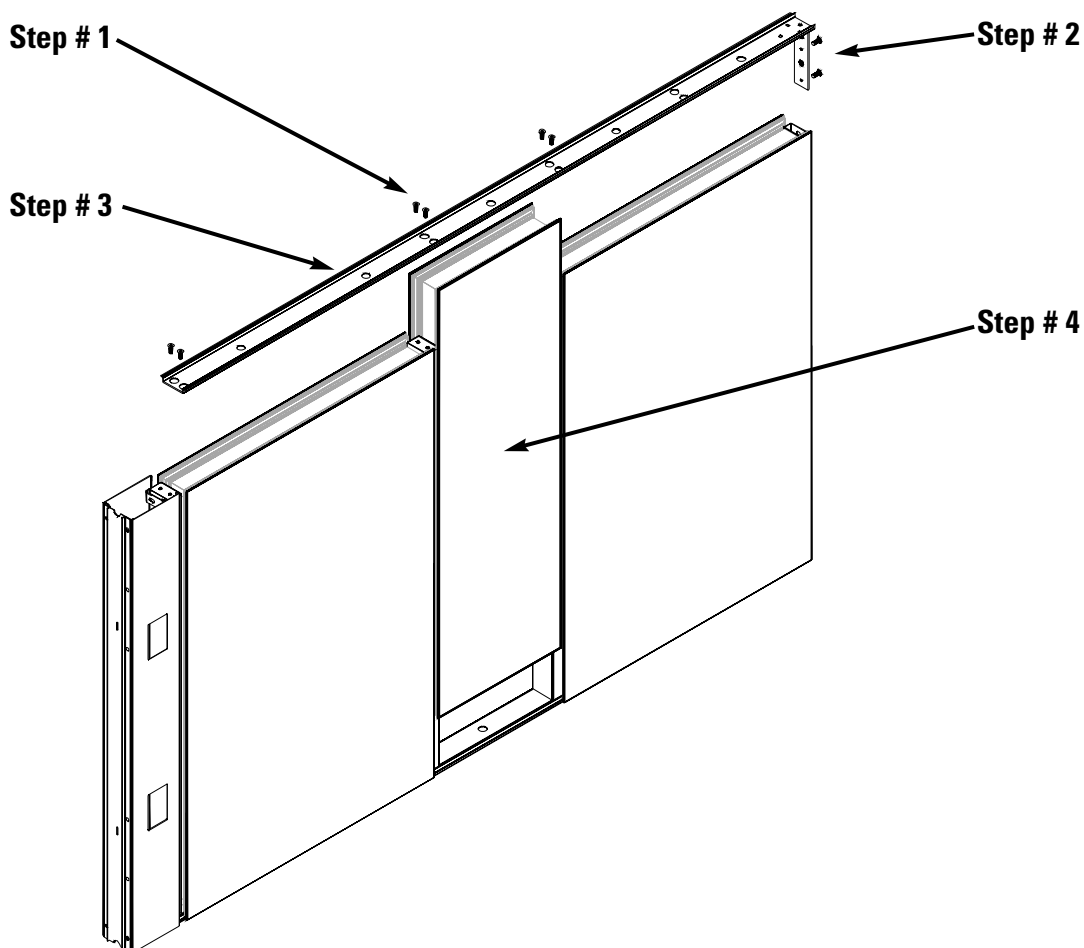
Step #1. Remove the screws from the metal side frame.

Step #2. Remove the two (2) bolts that hold the side frame to the top horizontal tube.

Step #3. Remove the side frame from the panel.

Step #4. Slide the selected module out of the panel.

Step #5. Slide the replacement module into the panel and reverse the procedure.



Note: Any alterations to listed components will void the manufacturer's warranty. The manufacturer will not be responsible for any damage or bodily harm caused by alterations in accordance with national or local electrical codes and manufacturer's specifications.

In accordance with the manufacturer's policy of continual product improvement, the product presented in this document is subject to change without notice or obligation.