

diet[®]
Installation Manual

2017



GLOBAL *Contract*

OHSAS 18001:2007
REVISED: FALL 2017

ISO 9001:2015

ISO 14001:2015

Global Contract Inc. 565 Petrolia Road
North York, Ontario, M3J 2X8

Visit us on the Internet at globalcontract.com • (416) 739-5000

TABLE OF CONTENTS

Panels **P.03**

Panel Connector	3
Off Module panel Connector	4
Wall Adapter	5
Diet to Boulevard Slot Connector	6
Diet to Boulevard Connecting Kit	8
Diet Freestanding Panel Mobile Kit	9
Diet Panel Gap Filler Installation	10
90 Degree Configurations	11

Electrical **P.12**

Diet Electrical	12
Diet Electrical Components	13
Diet Electrical Installation	14
Diet Communication Installation	16
Cable management	18

Worksurfaces **P.20**

Worksurface Support	20
Worksurface Universal Flat Bracket	21
Gable Leg	22
Pedestal Bracket / Corner Plate	23
Transaction Bracket	24
Combining Diet and Boulevard Worksurfaces	25
Off-Module Cantilever	26

Storage **P.27**

Storage	27
Open Shelf	28
Off - Module Shelf	29
DSADA Easy-Up Diet Overhead	30

Please contact your Global Contract Service Representative at 416-739-5000 for any questions or concerns.

NOTE: Any alterations to listed components will void the manufacturer's warranty. The manufacturer will not be responsible for any damage or bodily harm caused by alterations in accordance with national or local electrical codes and manufac-

turer's specifications. In accordance with the manufacturer's policy of continual product improvement, the product presented in this document is subject to change without notice or obligation.24

INSTALLATION GUIDELINES

Panel Connector

Every panel ships with a connecting kit comprising hinges, spacers, screws and hinge pins. Not all pieces included in the connecting kit might get used with every panel (connecting two stand alone panels at 90°, for example, will only require installation of two hinge / spacer sets at the top and bottom of each panel). The remaining pieces included in the connecting kit should be stored on site to be available for future reconfigurations.

Location of connecting hinge / spacer and hinge / hinge set on panels is predetermined by location of double holes, pre-drilled in panel verticals. There are pairs of holes located always at the panels' bottom and top. In addition, a 54" high panel will have a pair at 42" height (to connect to 42" high adjacent panel) and a 66" high panel will have additional pairs at 42" and 54" height (to connect to 42" and 54" adjacent panels).

NOTE: When connecting 66" high partly glazed panels, use additional set of connectors at 42" height.

In order to install panel connectors to connect two panels at flexible angle,

STEP 1: remove vertical edge trim,

STEP 2: position spacer A and hinge B over pre-drilled holes at desired height,

STEP 3: secure with two supplied screws (Do not over tighten!) and snap the vertical edge trims back in place.

Set the panels to desired angle. Insert top and bottom pins. In order to connect two straight panels (180°),

STEP 4: Remove vertical edge trims, position two hinges over pre-drilled holes at desired height and secure with two supplied screws on both panels. Do not over tighten! Snap vertical edge trims back in place.

STEP 5: Level the first panel, position the second panel so that all hinges overlap and insert four pins (two at the top; two at the bottom).

STEP 6: To connect 3 panels in a 90°, 3 way configuration, remove panel vertical edge trims and install two spacer / hinge sets (top and bottom) on both wing panels.

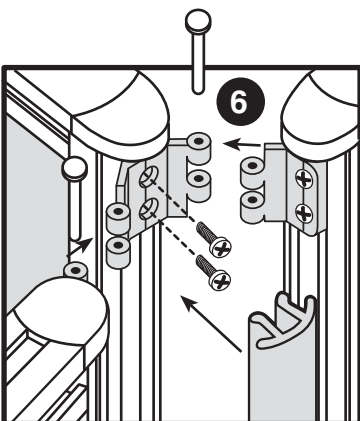
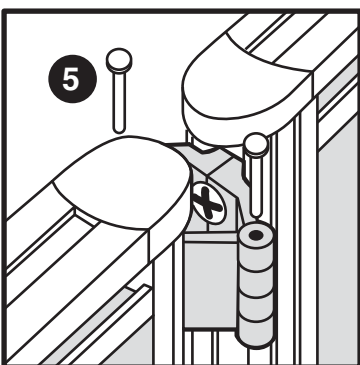
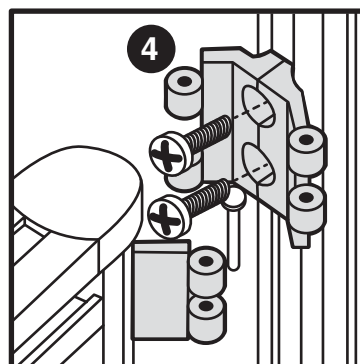
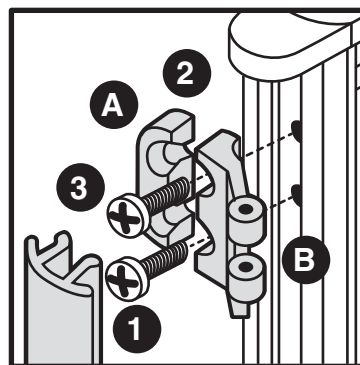
Install two hinge / hinge sets (top and bottom) on the panel that is going to be installed between the wing panels.

Replace vertical edge trims, level the first panel, position wing panels so that all hinges overlap and insert four pins (two at the top; two at the bottom) as you go along.

STEP 7: To connect three panels in a 120°, three-way configuration (or four panels in a 90°, four-way configuration).

Remove panel vertical edge trims and install two hinge / hinge sets (top and bottom) on all panels.

Replace vertical edge trims, level the first panel, position remaining panels so that all hinges overlap and insert four pins (two at the top; two at the bottom) as you go along. Level the whole panel assembly.



INSTALLATION GUIDELINES

Off-Module Panel Connector

To connect two panels in an off-module, "T" configuration remove panel vertical edge trim and remove all connectors and spacers.

STEP 1: Secure top off-module bracket to panel vertical with supplied screws.

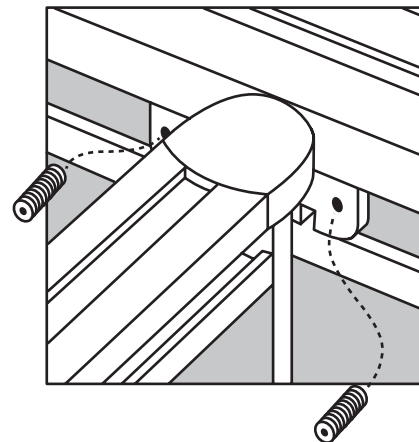
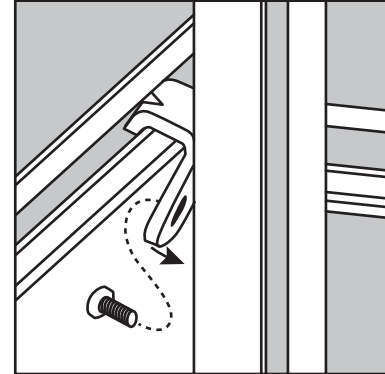
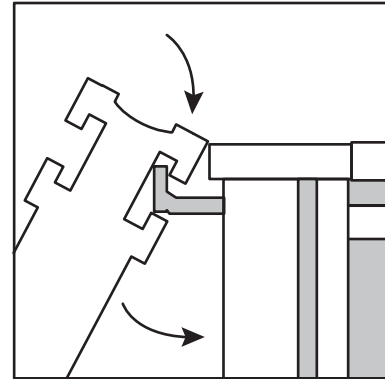
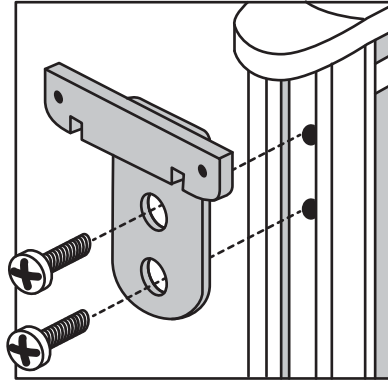
STEP 2: Drive levelers on the second panel all the way in and hold the panel in a tilted position. Slide it carefully over the top bracket as illustrated, while making sure that the bracket is seated inside of the top horizontal rail.

STEP 3: Bring the panel carefully into a vertical position and adjust its final location.

STEP 4: Engage bottom off-module bracket in bottom horizontal panel rail.

STEP 5: Secure with supplied screws to panel vertical and level the whole assembly.

STEP 6: Install two set screws in the top bracket to prevent the top bracket from sliding sideways and tighten carefully with supplied allen key. If the off-modularly connected panel is higher than the perpendicular one, cut a vertical edge trim (removed earlier from panel) and snap it onto the panel's vertical, between top corner cap and top of the upper, off-module bracket. If the perpendicular panel does not have base cable manager installed, the bottom of the off-module panel will be exposed. In such instances cut 4 5/8" long pieces from the vertical edge trim and snap it onto the panel's vertical at the bottom.



INSTALLATION GUIDELINES

Wall Adapter

Remove panel vertical edge trim on the side facing the wall.

STEP 1: Secure temporarily top bracket to panel vertical member by driving supplied screw into top hole.

STEP 2: Remove leveler, add supplied nut and lock the bottom bracket between the nut and the bottom of panels vertical member.

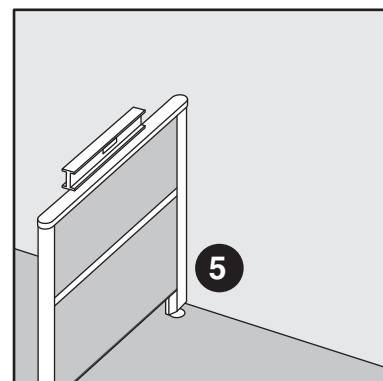
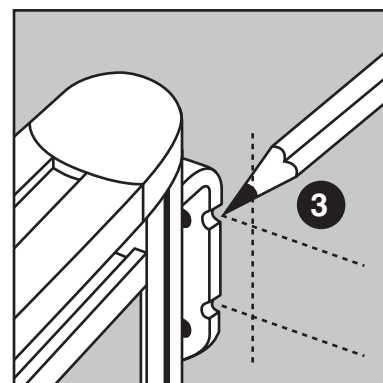
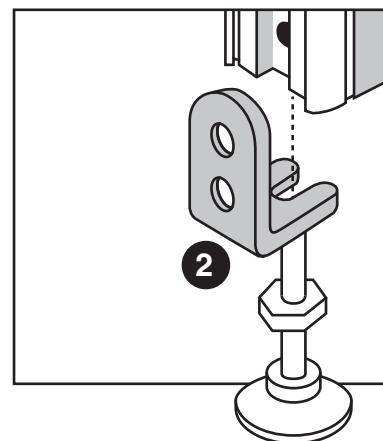
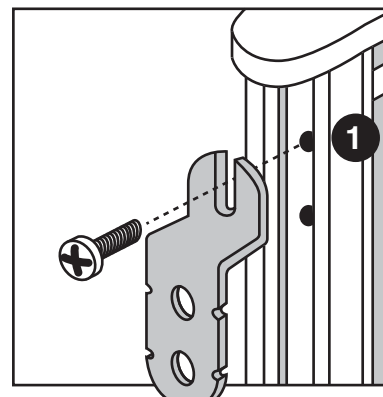
STEP 3: Position levelled panel against the wall and mark the wall (both top and bottom brackets have notches on either side to indicate anchor location). Use level to mark vertical line on the wall where centre of the panel is going to be, and install wall anchors, not supplied. The choice of wall anchors depends on the construction and material of the wall. (ie. wood, steel, drywall etc..)

Loosen screw holding top bracket just enough to be able to slide the bracket down. Drive the leveler with the nut out by 25 mm and slide the bottom bracket out.

Secure both brackets to the wall anchors.

STEP 4: Position panel with the screw over the top bracket while making sure that the leveler is located within the bottom bracket. Adjust leveler while making sure that the top bracket is seated behind the top screw head.

STEP 5: As soon as the top screw is firmly seated in the top bracket level the panel (using leveler on the opposite side) and tighten the nut on the leveler to secure the bottom bracket.



INSTALLATION GUIDELINES

Diet to Boulevard Slot Connector

- The kit consists of :
- 2 brackets
 - 2 screw anchors
 - 2 # 10-24x3/8" pan head machine screws
 - 2 # 10 lock washers

Ensure that the complete BOULEVARD panel run is level before proceeding with connecting perpendicular Diet panels.

STEP 1: Slide one screw anchor into panel's vertical groove and secure it temporarily below the panel's top corner cap.

STEP 2: Install the bottom bracket with downward pointing hooks.

STEP 3: Align top of the bottom bracket with the top of the horizontal gap in panel's bottom rail as illustrated. ensure that both bracket tabs (A) are engaged behind aluminum lip of panel's vertical frame member.

STEP 4: Slide one screw with screw anchor up into panel's vertical groove, into bracket's slot and secure by tightening the screw.

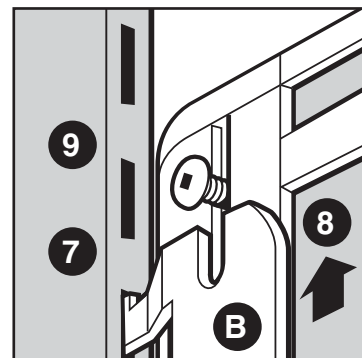
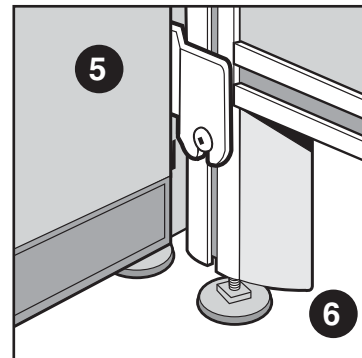
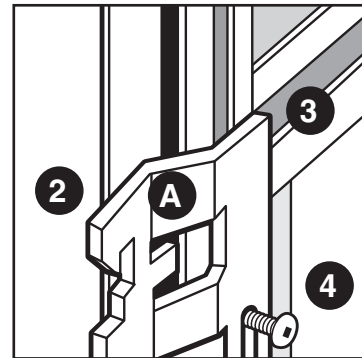
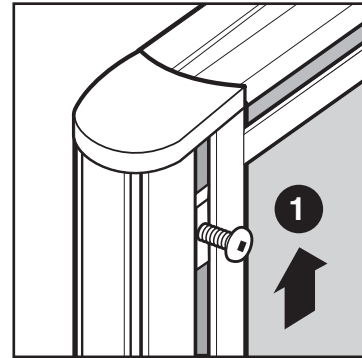
STEP 5: Lift the Diet panel and hook it with the secured bottom bracket into slots on perpendicular Boulevard panel.

STEP 6: Level Diet panel.

STEP 7: Align top bracket's upward pointing hooks with slots in perpendicular Boulevard panel while making sure that both bracket's tabs (B) are engaged behind aluminum lip of Diet panel's vertical frame member.

STEP 8: Slide the bracket up until it's hooks are fully engaged in Boulevard panel slots.

STEP 9: Secure the bracket by tightening the top screw.



INSTALLATION GUIDELINES

Diet to Boulevard Slot Connector

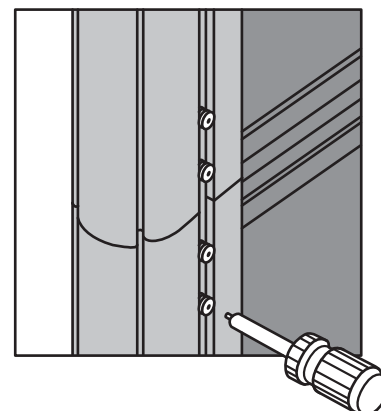
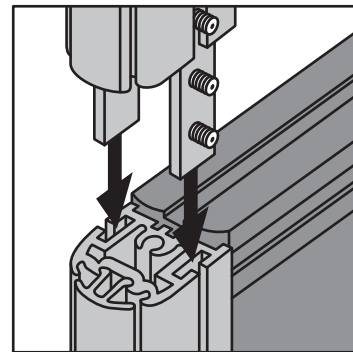
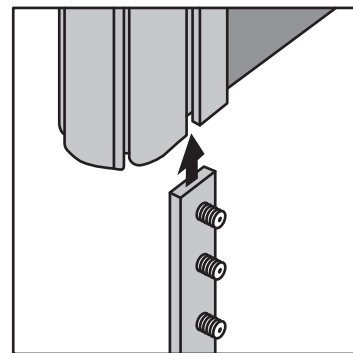
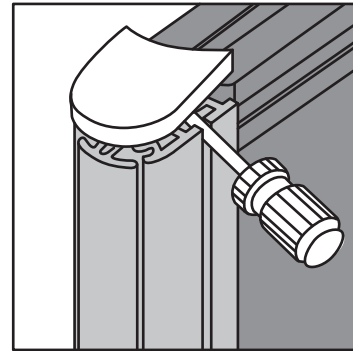
STEP 1: Remove panel's top corner cap by carefully tapping the underside of the cap through side vertical grooves.

STEP 2: Slide over panel connecting brackets halfway into over panel's vertical groove as illustrated.

Tighten only the top set screws in order to keep the brackets in place while leaving the remaining set screws loose. (Ensure that the two lower set screws are not protruding through the bracket as these would interfere with base panel's vertical frame.)

STEP 3: Slide the over panel with connecting brackets into the vertical grooves on the base panel as illustrated.

STEP 4: Push the over panel down from the top while tightening remaining set screws in all connecting brackets.



INSTALLATION GUIDELINES

Diet to Boulevard Connecting Kit

Diet - to - Boulevard connecting kit typically consists of two extruded aluminum profiles. Boulevard strips, screws to secure connecting extruded profile to Diet panel and a cap.

There are three basic configurations (please note the position and the use of 'Connector and Filler profiles):

STEP 1: Begin the actual installation by securing Connector profile to Diet panel's vertical with supplied screws. Note the asymmetrical shape of connector extrusion and ensure that the larger side of the connector detail must be on the left side when facing panel's vertical extrusion or it would not engage with Boulevard panel interface.

STEP 2: Place Diet-Connector subassembly next to Boulevard panel. Ensure that bottom of the Diet-BLVD Connector rests on top of self leveling feature at the bottom of BLVD panels.

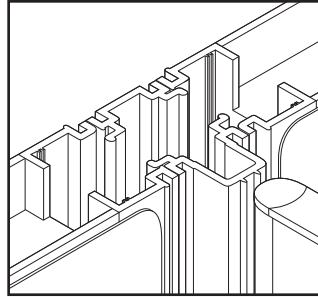
STEP 3: Install Boulevard capture strips.

STEP 4: Install Boulevard capture strips.

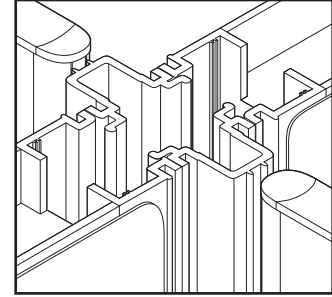
STEP 5: Install the next Boulevard panel or Aluminum vertical end trim.

STEP 6: Finish by installing top cap (injection molded cap for Boulevard 1 and 2; aluminum cap for Boulevard System 3)

"T" (even height)

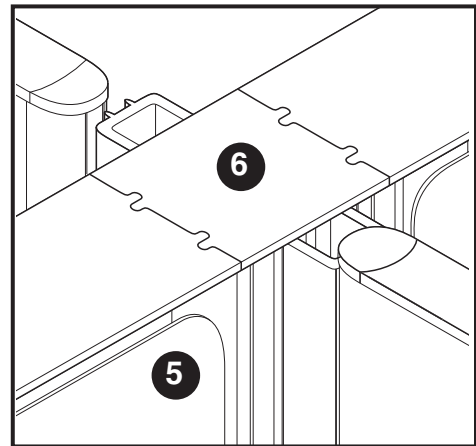
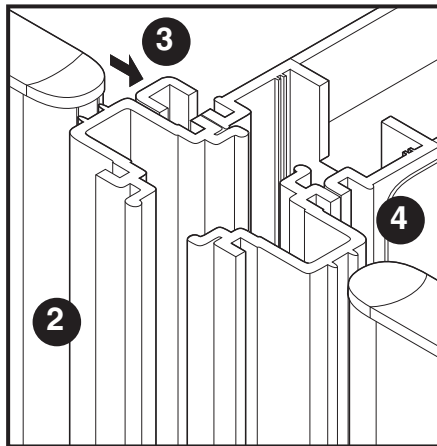
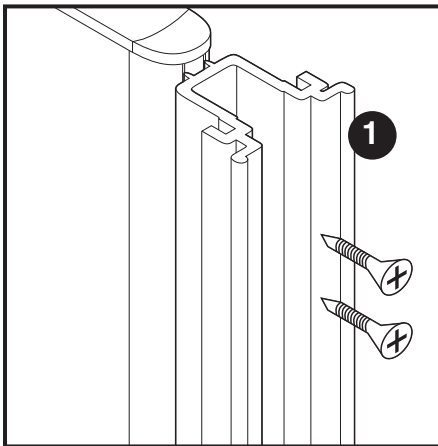
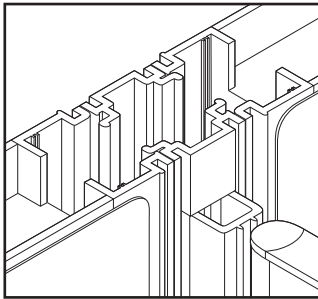


"X" (even height)



"T" (uneven height)

"X" uneven height requires one more filler profile



INSTALLATION GUIDELINES

Diet Freestanding Panel Mobile Kit

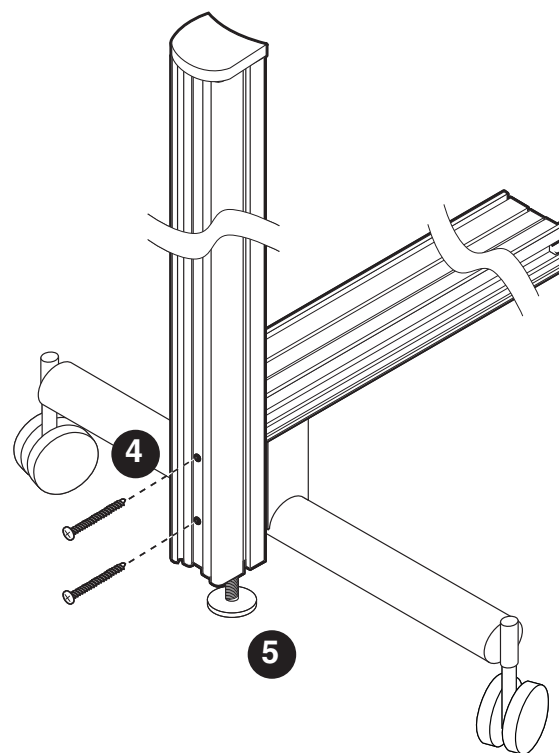
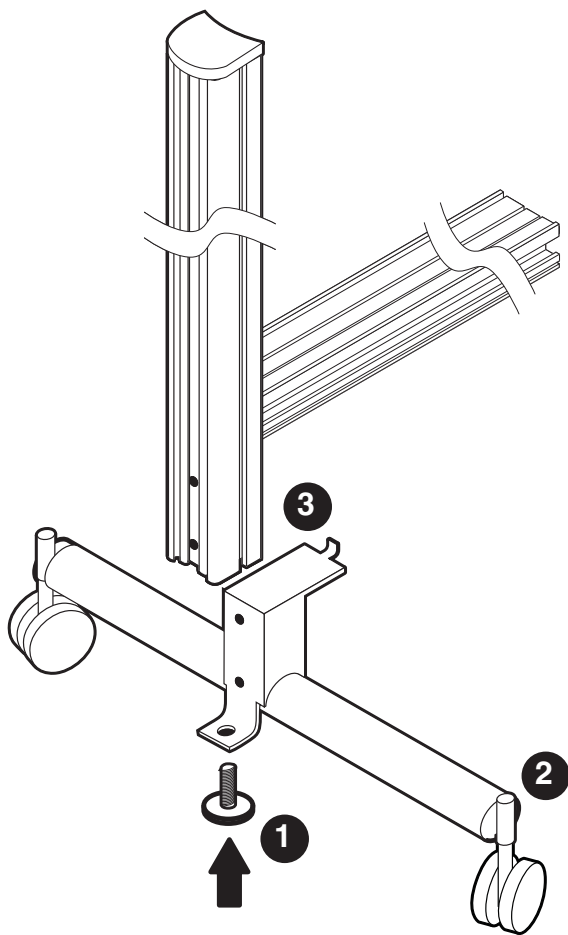
STEP 1: Remove levelers from the bottom of the panel vertical extrusion.

STEP 2: Align the bracket so the legs with the casters run perpendicular to the length of the panel.

STEP 3: Slide the bracket up until it fits into the horizontal bottom rail.

STEP 4: Remove the PVC cover and screw the bracket to the panel vertical through the second bottom hole.

STEP 5: Re-attach the levelers.



INSTALLATION GUIDELINES

Diet Panel Gap Filler Installation

The Diet gap filler is installed into the groove between panel's aluminum vertical frame member and extruded PVC end trim. It is the same gap through which panel hinge connectors protrude. The gap filler fills the gap between Diet panels, from the bottom edge of the top hinge connector to the top edge of the bottom connector. If there are more than two hinges connecting the two adjacent panels then trim the length of the filler so that it fills the gaps between top and the middle hinge and, again, between the middle hinge and the bottom hinge.

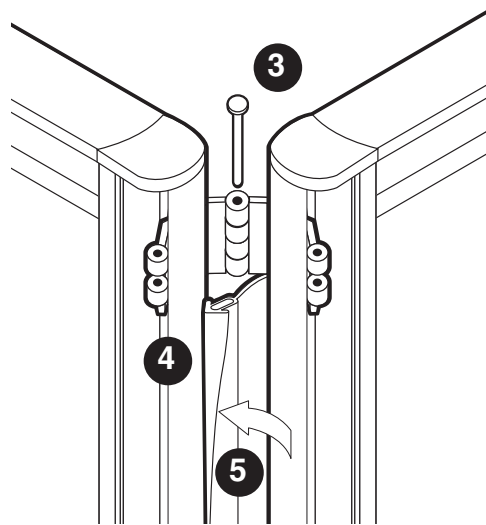
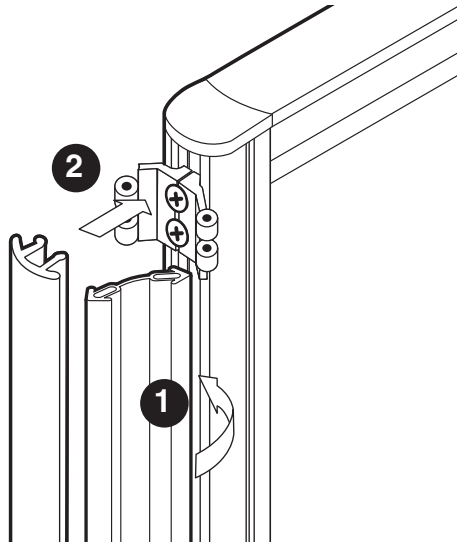
STEP 1: Hold the filler so that one arm of the 'arrow' is engaged behind the front edge of panel's aluminum vertical frame member.

STEP 2: Snap the extruded PVC end trim onto the panel's vertical frame member while ensuring that the second arm of the 'arrow' remains engaged behind the extruded PVC trim.

STEP 3: Connect panels with connector pins.

STEP 4: Arrange the opposite end of the filler so that one 'arrow' is engaged along the full height between the aluminum vertical frame member and extruded PVC end trim.

STEP 5: Proceed from top of the filler and tack the other 'arrow' behind the aluminum frame member and the extruded PVC end trim.



INSTALLATION GUIDELINES

90 Degree Configurations approved by UL

The following 90° configurations must be locked with either shelves (figure 1), overhead (figure 2) or worksurfaces (figure 3 and 4) to be UL listed.

Figure 1 and Figure 2 must use return wing panels of 36" wide minimum.

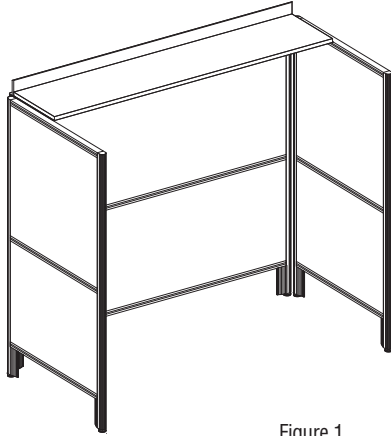


Figure 1

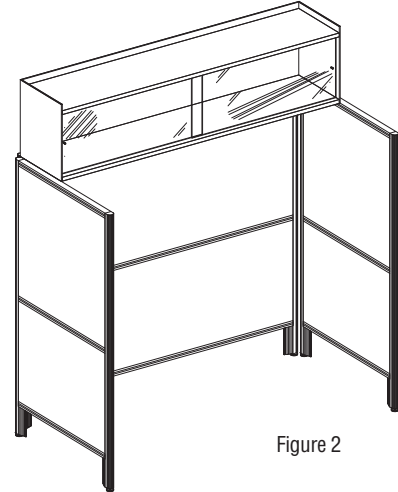


Figure 2

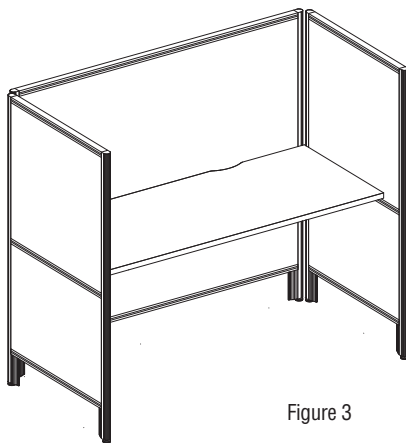


Figure 3

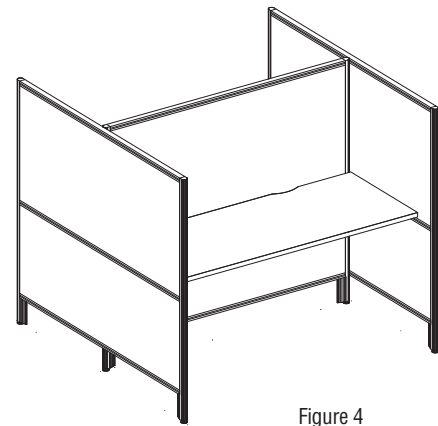


Figure 4

INSTALLATION GUIDELINES

Diet Electrical

STEP 1: Make sure that all panel structures and work surfaces are leveled and securely connected before proceeding with installation of power components.

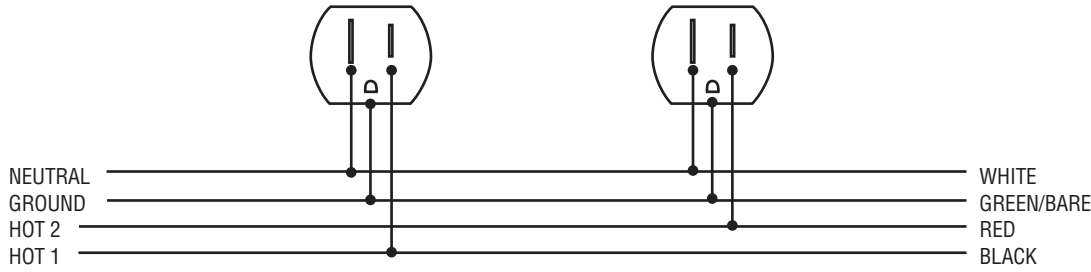
STEP 2: Identify type and length of specified components and position them in accordance with layout plans. Interconnect electrical components while proceeding from Electrical Feed Harness. To prevent the danger of electric shock, connect the Electrical Feed Harness to the building power supply only after completing the installation.

Test all Receptacles and ensure that circuits no. 1 and 2 correspond to specified electrical layout.

STEP 3: Install data and communication cable bundles and terminals.

STEP 4: Walk through; conduct a thorough installation inspection with the client.

WARNING : It is recommended that installation of electrical harness be made under the supervision of a licensed electrician in accordance with applicable codes and regulations. Always determine that harness is electrically connected to only one power supply.



INSTALLATION GUIDELINES

Diet Electrical Components

STEP 1: Duplex Receptacle Block circuit #1 or #2; provides access to power.

STEP 2: Receptacle Block Retainer secures Duplex Receptacle Blocks and Electrical Feed Blocks to the panel's bottom horizontal rail.

STEP 3: Duplex Receptacle Block Spacer determines accurate location of Duplex Receptacle Blocks and Electrical Feed Blocks within panels.

STEP 4: Duplex Receptacle Block to Duplex Receptacle Block Connector connects 2 Duplex Receptacle Blocks in 30" wide panel application.

STEP 5: Interconnect Harness connects 2 Duplex Receptacle Blocks within a panel.

STEP 6: Jumper Harness connects electrical components housed within two adjacent panels.

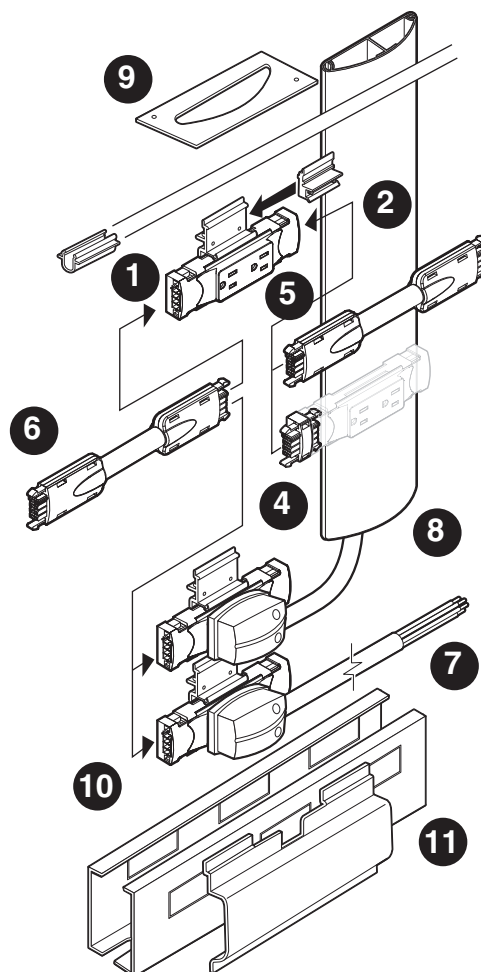
STEP 7: Base Feed connects floor distributed building power supply with panel housed electrical components.

STEP 8: Ceiling Feed (shown with Power Pole) connects above-ceiling distributed building power supply with panel housed electrical components.

STEP 9: Ceiling Bezel provides trim for Power Pole.

STEP 10: Diet Panel Raceway Cover with partial receptacle and data knockouts.

STEP 11: Raceway Junction Cover provides an external cover for cables between panels



INSTALLATION GUIDELINES

Diet Electrical installation

Due to narrow cavity of the raceway, there can only be one Duplex Receptacle Block installed at given location, protruding through either the inside face or the outside face of the panel (the Duplex Receptacle Blocks cannot be installed back-to-back). For this reason, the direction of Duplex Receptacle Blocks within one panel run would typically alter (one inside, one outside, as illustrated Fig. A). (Panels 36" and wider)

Duplex Receptacle Blocks can be also installed facing in the same direction (Fig. B).

There are four partial knock out holes in each raceway cover.

Confirm which side of the panel the Duplex Receptacle Blocks are going to face and create opening in raceway covers by removing the desired partial knock-outs.

STEP 1: Determine type and location of an Electrical Feed (ceiling or floor).

Both Electrical Feeds enter the raceway cavity through Receptacle opening the raceway cover.

The Base Electrical Feed connects to a floor monuments within 6'.

The Ceiling Feed rises up within a dedicated Power Pole. This Power Pole is secured to the outside of the panel and utilizes a "scoop" in the rear edge of the work surface to reach the ceiling. The "scoop" must be located immediately above the Receptacle opening in the Raceway Cover through which the Ceiling Feed is to enter the Raceway cavity.

STEP 2: Begin the actual installation by threading the Electrical Feed's flexible conduit through the Receptacle opening in the Raceway Cover. Thread from the inside out.

STEP 3: Follow the installation specifications and interconnect all components (Electrical Feed Block, Duplex Receptacle Blocks, Harnesses) on the floor, next to the panel run.

STEP 4: Snap Receptacle Spacer to the bottom groove of Diet panel frame. Use one Receptacle Spacer on each end of the panel. Ensure that the Receptacle Spacer rests snugly next to panel's vertical extrusion.

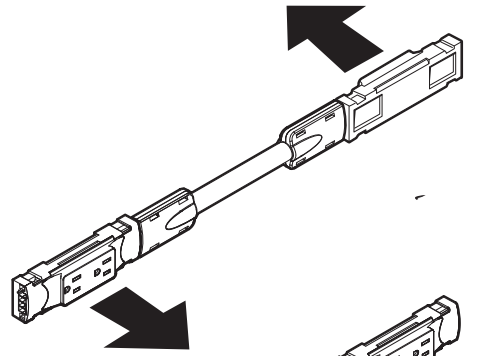


Figure A

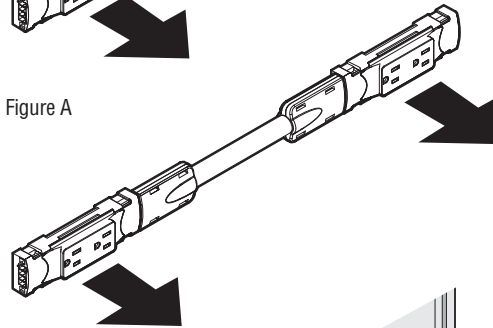
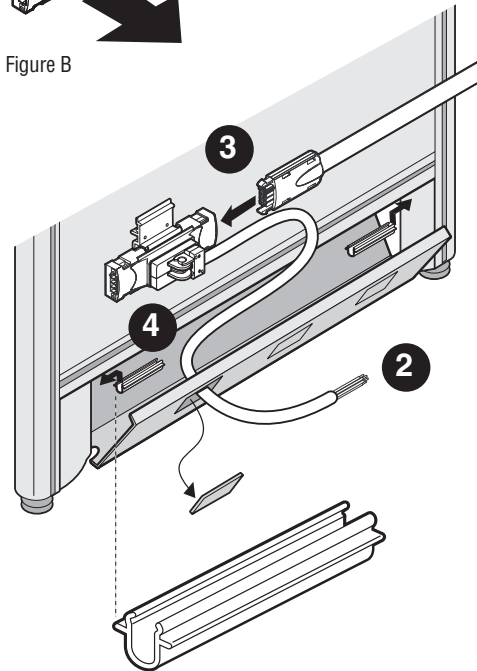


Figure B



INSTALLATION GUIDELINES

Diet Electrical installation

Electrical Feed Blocks and Duplex Receptacle Blocks share the same, extruded Mounting Bracket and Mounting Bracket Retainer.

While the following illustrations depict installation of the Duplex Receptacle Block, the same procedure is used to secure Electrical Feed Block.

STEP 5: Insert the Duplex Receptacle Block mounting bracket into the bottom groove of the Diet panel frame as illustrated.

STEP 6: Insert the Duplex Receptacle Block retainer into the bottom groove of the Diet panel frame. Align it with the Mounting Bracket.

STEP 7: Slide the Bracket / Retainer assembly snugly against the Duplex Receptacle Block Spacer and use an allen key to spread the Bracket and the Retainer in the bottom horizontal frame member.

STEP 8: Repeat the procedure on the opposite end of the panel. Ensure that the Duplex Receptacle Blocks installed facing the same or opposite side of the panels are in accordance with your floor plan specifications.

STEP 9: Power can be installed exiting the raceway cover in the left or right direction.

Base Feed:
Choose the direction corresponding with the location of the nearest floor monument.

Ceiling Feed:
Because the Ceiling Feed conduit (within the Power Pole) always rises through a worksurface "scoop" above the Ceiling Feed panel entry, install the Ceiling Feed conduit so it always points to the closest edge of a panel.

Close the Raceway Cover.

STEP 10: Hold the Ceiling Feed conduit in the desired direction against the closed Raceway Cover and place the injection molded Power Cover over the protruding Electrical Feed Block as illustrated.

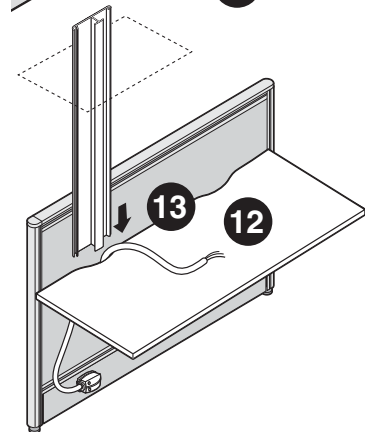
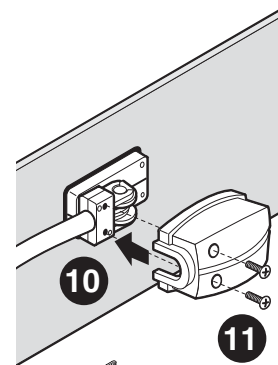
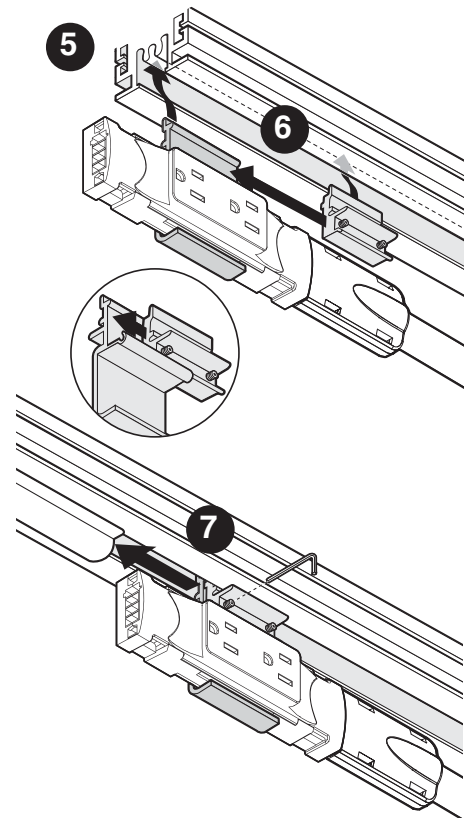
STEP 11: Secure the cover with supplied screws.

STEP 12: Thread the Ceiling Feed conduit up, through the worksurface "scoop".

STEP 13: Remove ceiling tile and slide aluminum Power Pole extrusion down, through the worksurface "scoop".

Note: If ceiling mounted objects prevent you from sliding the Power Pole down, remove worksurface temporarily, but secure the worksurface back to the panels because it is the scoop cut out in the worksurface that determines accurate location of the Ceiling Power Pole.

There are two pairs of mounting keyholes punched in the aluminum Diet Power Pole. One pair is at the base and another pair is just below desk height.



INSTALLATION GUIDELINES

Diet Electrical installation

STEP 14: Align the two desk height keyholes with the groove in the panel's horizontal, desk height frame extrusion.

STEP 15: Insert two rectangular anchor nuts with supplied screws through the keyholes in the Power Pole.
Tighten the screws, while ensuring the Power Pole is vertical.

STEP 16: Align the two bottom keyholes with the groove in the panel's bottom frame extrusion.

STEP 17: Insert two rectangular anchor nuts with supplied screws through keyholes in the the aluminum Power Pole.

STEP 18: With the Power Pole now in its final position, mark the ceiling tile, cut a tight outline hole and reinstall the ceiling tile.

STEP 19: Pull the Electrical Feed conduit up one side of the Power Pole partition. Secure the conduit to the junction box strain relief fitting.

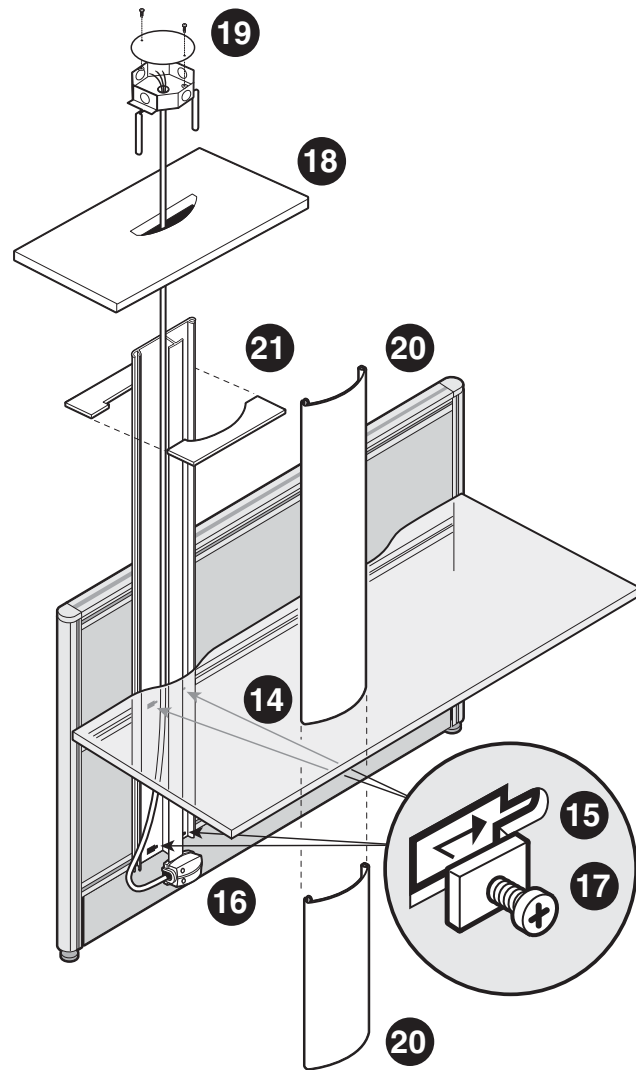
STEP 20: Run the data cables up the other side of the partitioned Power Pole and snap on the Power Pole Cover. It consists of a shorter section (below the work surface) and a longer section (between the work surface and the ceiling).

STEP 21: Install the Ceiling Bezel and secure it with two supplied screws.

Check the complete installation of the electrical components and connect to the building power supply through the adjacent ceiling tile.

WARNING: It is recommended that the installation of the electrical harness be made under the supervision of a licensed electrician in accordance with applicable codes and regulations.

SPECIAL NOTE: Always determine that the harness is electrically connected to the only one power supply.



INSTALLATION GUIDELINES

Diet Data/Communication installation

Data and communication cables distributed above ceiling grid typically descend through a Power Pole and enter the Diet raceway cavity either through a gap between Diet Raceway Cover at any panel junction, or between the Raceway Cover and the Raceway Junction Cover.

Similarly, data/communication cables originating in the wall or a floor monument enter the Diet raceway cavity either through a gap between the Diet Raceway Cover at any panel junction, or between the Raceway Cover and the Raceway Junction Cover.

Horizontal cable distribution is managed by the Raceway Cover, which opens up on the floor, allowing for cable lay-in (cable bypass on the outside of the panels junction point).

Partial knock-outs (2.67" wide x 1.360" high) provided in each Raceway Cover accommodate terminal plates from various vendors.

RACEWAY JUNCTION COVER INSTALLATION:

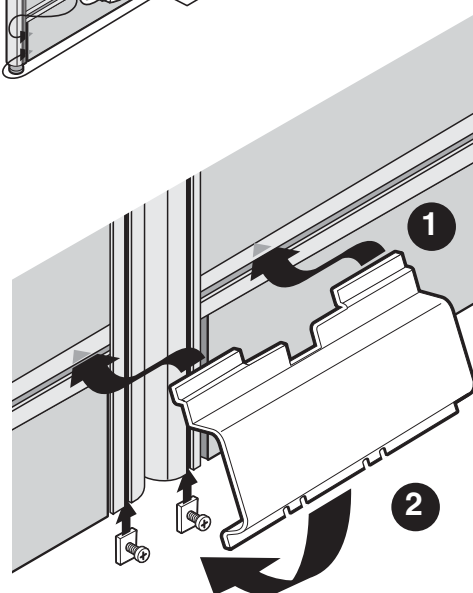
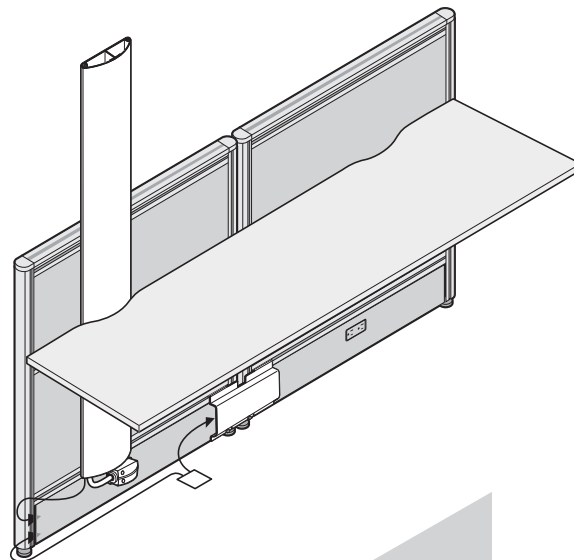
It is recommended that data cables and power conduits pass from one panel to another on the same side of the panel.

Universal Raceway Junction Cover accommodates in-line (180o) panels as well as off-module, "cross" panel configurations:

STEP 1: Insert the upper lip into the panel's bottom horizontal extrusion.

STEP 2: Slide two rectangular anchor nuts with supplied screws up the groove in the panel's vertical frame member and tighten.

Check the complete installation.



INSTALLATION GUIDELINES

Cable Management

Office equipment used with Diet panels can be connected (power and data) to building's wall outlets, floor monuments (1), or to power and data terminals under a raised floor. A multiple-circuit Viceversa floor standing Power tower (2) could be an effective, semi flexible way of branching-off power from floor monument or a raised floor. Although it is hard-wired to the source, its 6' of flexible, liquid-tight conduit allows for a quick relocation.

When Diet components are used in conjunction with Boulevard panels, the Boulevard's internal power distribution system and data / communication cableways can serve as the primary, service providing "spine" (3).

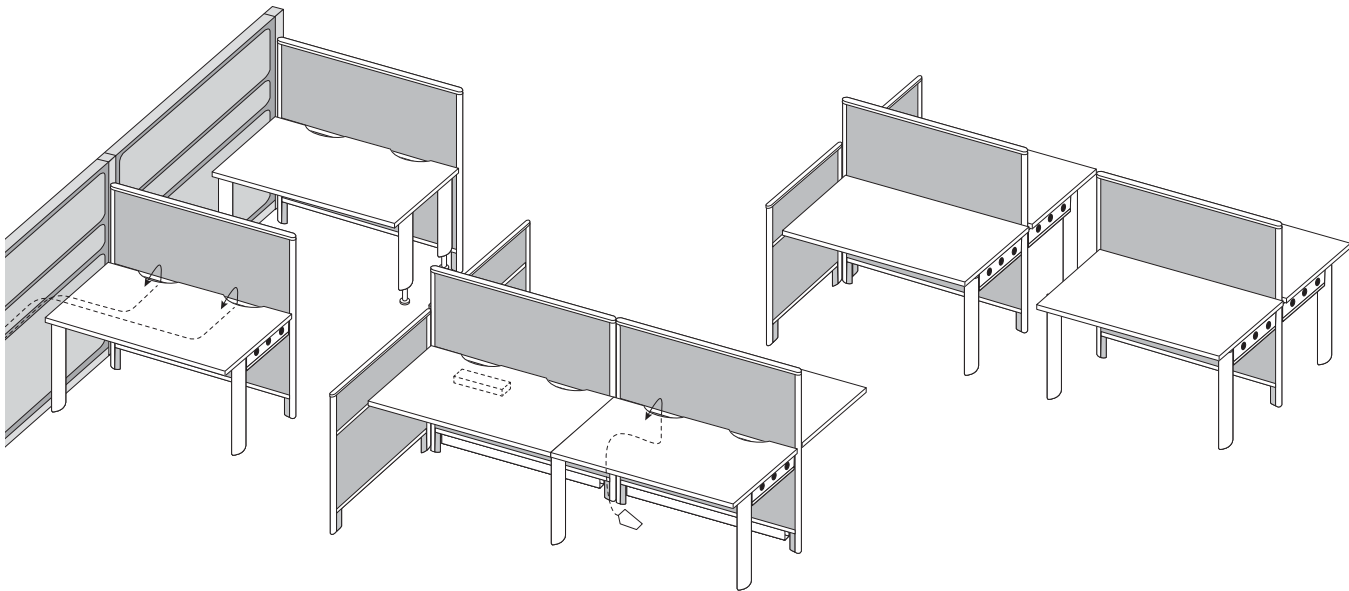
When raised floors are not available, or when office equipment is to be installed further away from wall outlets or Boulevard panels, use Viceversa Power towers, Power clip and surge protected power bar :

Floor-to-ceiling Viceversa Power tower (4) can route a multiple-circuit power and data / communication cables through ceiling into a point shared by several work stations.

Floor standing Viceversa Power tower or table mounted Power clip (5) can be plugged into distant wall outlets or branch-off power / data services perpendicularly away from Boulevard panels and shared by stations.

Similarly, a surge protected power bar (6) can be plugged into distant wall outlets or Boulevard panels and secured to the underside of a worksurface to provide power to two stations (depending on specific power requirements of individual equipment).

Utilize internal capacity of Boulevard panel raceway to organize excess of cable, use horizontal and leg cable managers integrated into Viceversa tables, or optional cable manager for Diet panels. The diet panel cable manager attaches to the bottom of full height Diet panel, or to the bottom of mid rail on Diet panels without bottom fabric area.



INSTALLATION GUIDELINES

Diet Cable Manager

Determine length of individual Cable managers and stage them accordingly, as specified on your plan, in the proximity of their future location.

1) Lay the cable manager flat underneath the panel and lay cable bundles on top of it. Divide the bundles so that roughly equal amount of cables passes on either side of the panel leg. This will prevent manager from bulging.

2) As you proceed lifting the manager from the floor, ensure that a notch in the manager's bottom fits over internal edge of the panel leg. This will keep the manager's sides in a vertical position.

3) Press upper edges of the cable manager into grooves on both sides of panel's bottom rail.

NOTE: If you use a full depth pedestals (24" deep pedestal under 24" deep worksurface), you may have to slide the pedestal partially out in order to gain an access to the panel's cable manager. Diet worksurfaces are provided with two cutouts to allow for a cord plug to pass between floor and worksurface.

4) Thread cord plug through the cutout.

5) Position cable in the gap between worksurface and panel as required.

6) Use Viceversa optional Cable snake to organize cables between worksurface level and floor standing CPU or Diet panel cable manager. Surge protected power bars (DABAR) are provided with mounting keyholes at the back.

7) Establish location of power source, route power bars cord through cable managers and

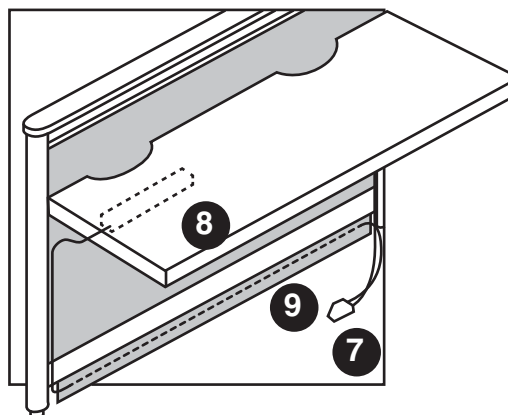
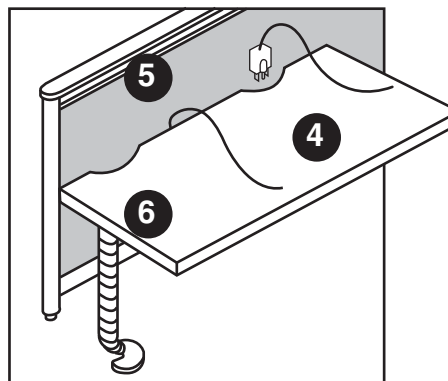
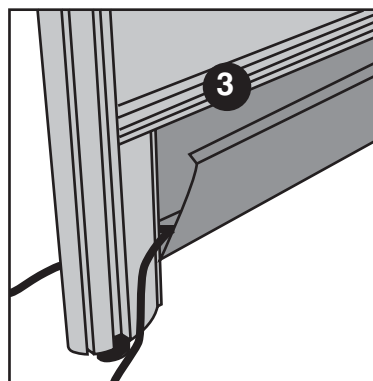
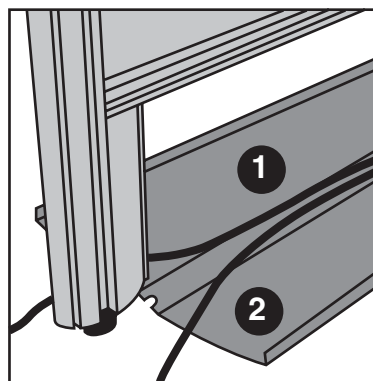
8) position underneath the worksurface where the length of the cord allows (preferably in near proximity of the rear cutouts). Measure distance between keyholes on the Power bar and drive two #6x3/4" wood screws with pan head partially into the bottom of the worksurface. Slide the Power bar over the screws and ensure a secure fit.

NOTE: Power bar is also available with a bracket that secures it to panel's horizontal rails..

9) Plug the cord.

NOTE: Do not connect multiple power bars into one, single-circuit outlet without ensuring that the total, combined power consumption of all connected equipment is NOT going to exceed 15 Amps (Canada) or 20 Amps (USA).

WARNING: It is recommended that the installation of the electrical system be made under the supervision of a licensed electrician and in accordance with applicable codes and regulations. Hard wired connection to the building power supply must be done only by a licensed electrician. Do not connect or disconnect components while the system is under load. Disconnect the main power supply before servicing or reconfiguration.



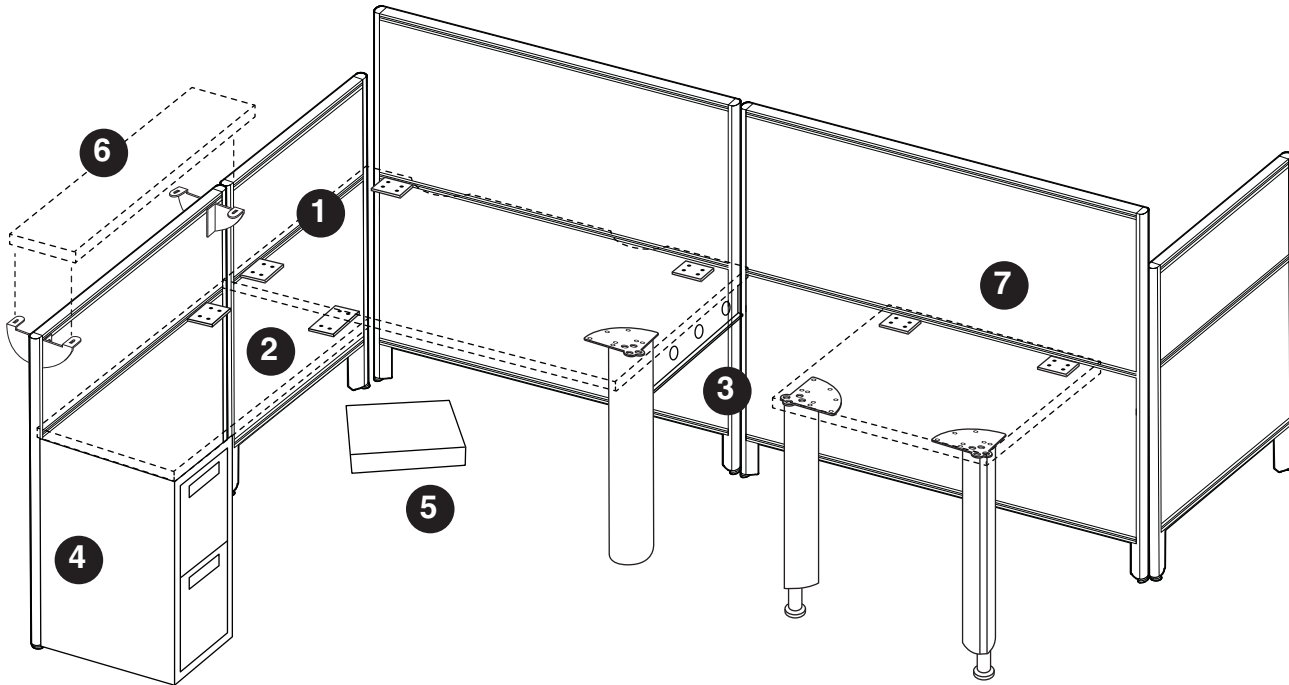
INSTALLATION GUIDELINES

Worksurface Support

Ensure that all panels are leveled and securely connected before proceeding with installation of worksurfaces.

Determine type, size and location of worksurfaces.

Determine type and location of worksurface supports and stage them accordingly, in the proximity of their future location.



Proceed by installing and leveling each consecutive worksurface support and worksurface in location specified on your plan.

STEP 1: Worksurface universal bracket

STEP 2: Worksurface flat bracket

STEP 3: Gable leg

STEP 4: Pedestal bracket

STEP 5: Corner plate

STEP 6: Transaction top

STEP 7: Off-module support with fixed height Viceversa legs and Worksurface universal brackets

INSTALLATION GUIDELINES

Worksurface Universal/Flat Bracket

Place worksurface up side down on a clean floor, free of any objects that could cause damage to the top.

STEP 1: Position two brackets along the rear edge, at least 1.5" from sides and secure them to the top with supplied screws.

Ensure that the brackets rear side is aligned with the worksurfaces' edge as illustrated.

STEP 2: Insert both brackets into panel's mid horizontal rail while holding the worksurface in a tilted position. Once both brackets are securely seated inside of the rail bring the worksurface into a level position.

STEP 3: While supporting the worksurface in a horizontal position, insert another universal bracket into mid horizontal rail in adjacent panel, rotate upward and secure with four supplied screws. Repeat the procedure on opposite side.

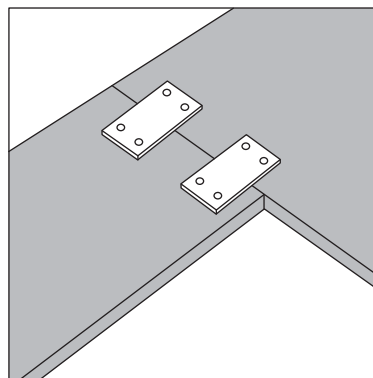
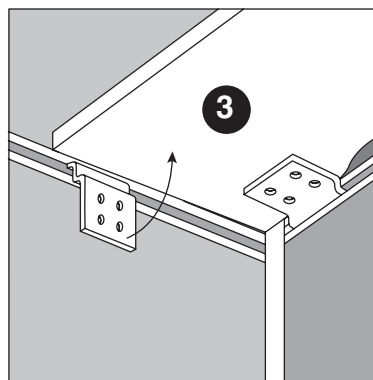
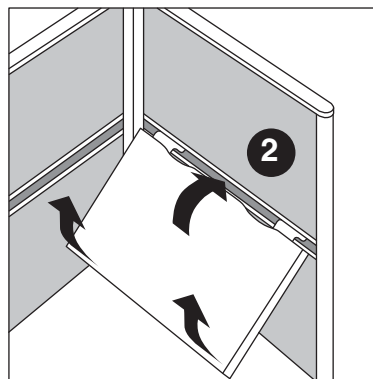
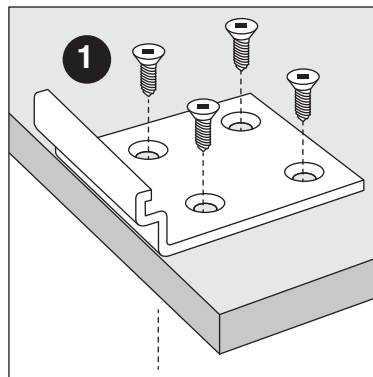
Application of a fifth universal bracket:

When installing 48" and longer worksurfaces, or when worksurface of any size is going to be subjected to extensive loads, it is recommended that a fifth universal bracket be installed in the middle, along the rear work surface edge.

This should be done from the bottom, as the last operation. Make sure that all panels are leveled and securely connected before proceeding with installation of worksurfaces.

WORKSURFACE FLAT BRACKET

Ensure that worksurfaces are flush and tight against each other. Secure this bracket to underside of two adjacent worksurfaces with supplied screws.



INSTALLATION GUIDELINES

Gable Leg / Shared Gable Leg

Gable leg can be assembled on site in a left or right configuration. If the top plate / leg assembly does not fit your needs as shipped, follow these steps:

STEP 1: Loosen the large head screw first.

STEP 2: Completely remove two smaller ones.

STEP 3: Rotate the top plate to the second position.

STEP 4: Replace the two screws and tighten the large head screw. The depicted configuration (left) will be installed under front left corner of a worksurface. Panel-leg plate is symmetrical so it also can be used for left or right configurations.

STEP 5: Place panel-leg plate flange with round holes into leg's groove, align flange holes with the holes in the leg.

STEP 6: Secure with supplied, thread forming screws. Ensure that all panels are level. Drive supplied machine screws partially into two screw anchor plates while making sure that the screws do not protrude on the opposite side of the anchor plate.

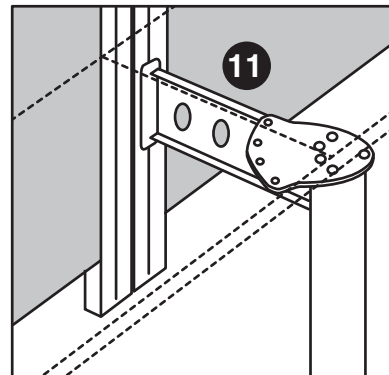
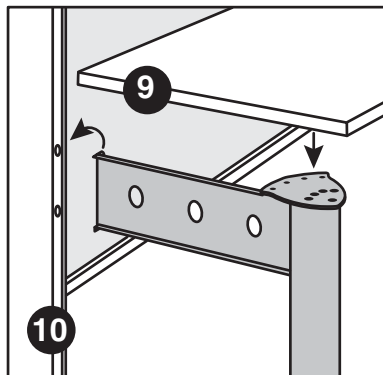
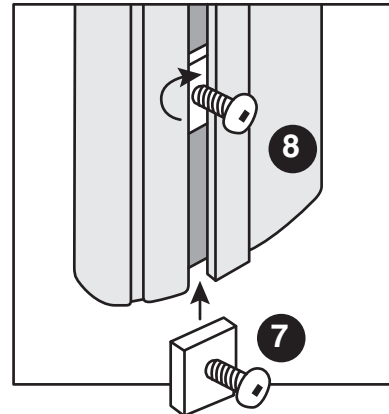
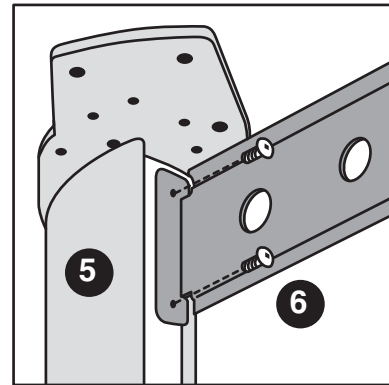
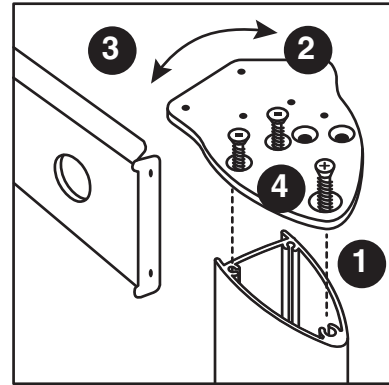
STEP 7: While holding the screw / anchor subassembly by the screw head, insert the anchor into the panel vertical side groove from the bottom. Slide the anchor up the groove, locate it over the upper hole within the groove (just below worksurface level).

STEP 8: Turn the screw carefully so it is fitted loosely inside of this hole. Slide the second anchor over the lower hole and secure temporarily with the screw.

STEP 9: Position panel-leg plate flange with keyholes over pre-installed, loose screws (now resting in panel's vertical groove) and press down to ensure that both screws are firmly seated in the key holes.

STEP 10: Tighten the anchor screws from the inside of the panel-leg plate and adjust leg's leveler. Install worksurface universal brackets along the rear edge of the worksurface as described on page 8. Use supplied screws to secure worksurface to the

STEP 11: A single gable leg can be shared to support two worksurfaces. Follow the above procedures, but install the gable leg in the vertical of an adjacent panel. As a simple guide, install a "Left" configured gable leg in the left adjacent panel and install a "Right" configured gable leg in the right adjacent panel. Although the illustration shows a left leg, the actual gable leg configuration (left or right) does not matter for the leg sharing application.



INSTALLATION GUIDELINES

Pedestal Bracket / Corner Plate

Ensure that all panels are leveled and securely connected before proceeding with installation of worksurfaces supports.

STEP 1: Align the first bracket's edge with pedestal's top corner and rear vertical edge as illustrated.

STEP 2: Secure the top bracket with supplied, self-drilling, counter-sunk head screws.

STEP 3: Align the second bracket's bottom edge with pedestal's bottom corner and rear vertical edge and secure it with supplied, self-drilling, countersunk head screws. (Not shown).

STEP 4: Angle the pedestal on the floor and insert bracket ends into panel's vertical side groove.

STEP 5: Rotate the pedestal while making sure that both brackets remain securely engaged inside the panel's vertical side groove. Install worksurface support on the opposite side of the worksurface as specified. Rest worksurface on both supports.

STEP 6: Adjust pedestal's levelers to level the worksurface and ensure that the pedestal's side is perpendicular to the panel.

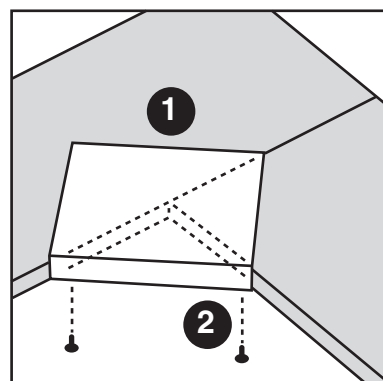
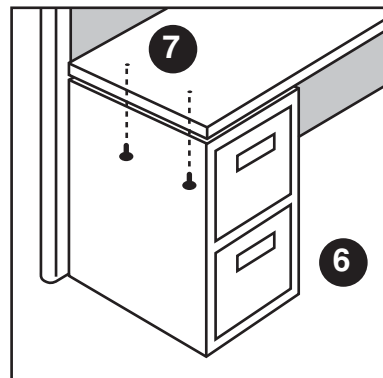
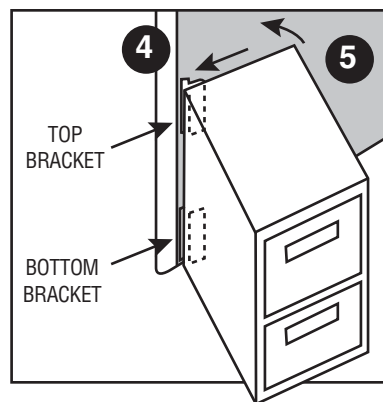
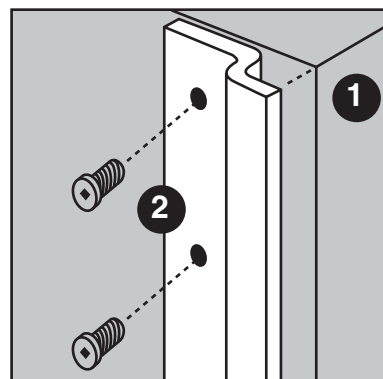
NOTE: Read before you proceed with the next step! If you use a full depth pedestals (24" deep pedestal under 24" deep worksurface) to secure worksurfaces to a panel with optional Panel cable manager, do not bolt the pedestal to the worksurface yet. You may have to angle and slide the pedestal partially out in order to gain an access to the panel's cable manager. In this case, the following step (#7) should be done at the end of the installation, after all cables had been tucked away in the Panel cable manager.

STEP 7: Remove drawers, pre-drill the pedestal top and drive two wood screws through the pedestal top, into the worksurface. Replace the drawers and secure the opposite side of the worksurface to its support.

CORNER PLATE

STEP 1: Position corner plate on already installed and secured worksurfaces so that the corners plate is aligned with a line between two adjacent worksurfaces.

STEP 2: Drive two wood screws through holes in the the bottom flange of the corner plate.



INSTALLATION GUIDELINES

Transaction Brackets

STEP 1: Remove panel's top corner cap by carefully tapping the underside of the cap through side vertical grooves. Pre-assemble both brackets, screws and screw anchors by threading the screws through the brackets holes and turning screw anchors. Alternatively, the top corner caps do not have to be removed if the transaction bracket is installed from bottom of panel, prior to installing worksurfaces, pedestals or gable legs.

STEP 2: Slide the brackets with screw anchors into panel's vertical grooves as illustrated.

Replace corner cap and:

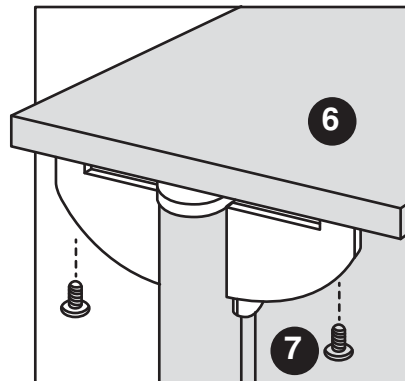
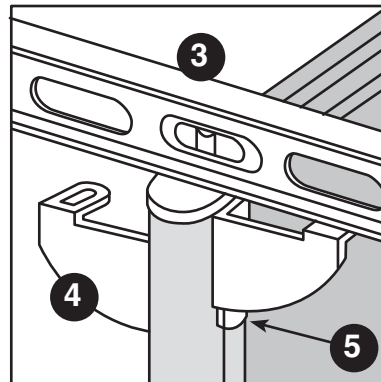
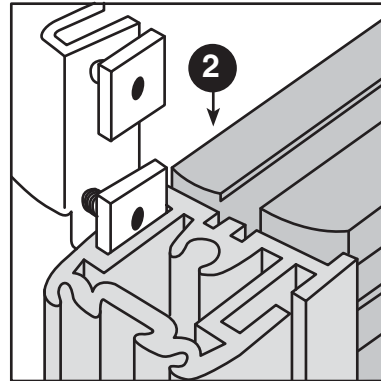
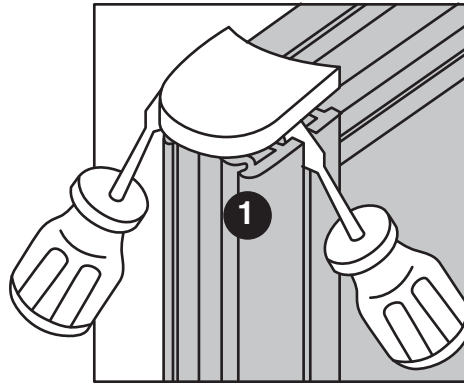
STEP 3: place a level on top of the corner cap.

STEP 4: Align top of the bracket with the bottom of the level.

STEP 5: Tighten both screws and repeat to secure the bracket on the opposite side of the panel.

STEP 6: Place transaction top on the brackets.

STEP 7: Secure the top with supplied wood screws.



INSTALLATION GUIDELINES

Combining Diet and Boulevard Worksurfaces

Diet panels connected to Boulevard panel run posts provide stability and define territory for a freestanding, or mobile work station.

When combining Diet and Boulevard panels to support Boulevard worksurfaces with a flex lip, follow these steps:

NOTES: A) A standard Boulevard rectangular worksurface can only be installed with its flex lip rear edge parallel to Boulevard panel.

B) Worksurfaces without the flex lip can use standard Boulevard corner brackets (left and right for both rear corners and one for the centre).

C) Worksurfaces with flex lip cannot be installed parallel to Diet panels.

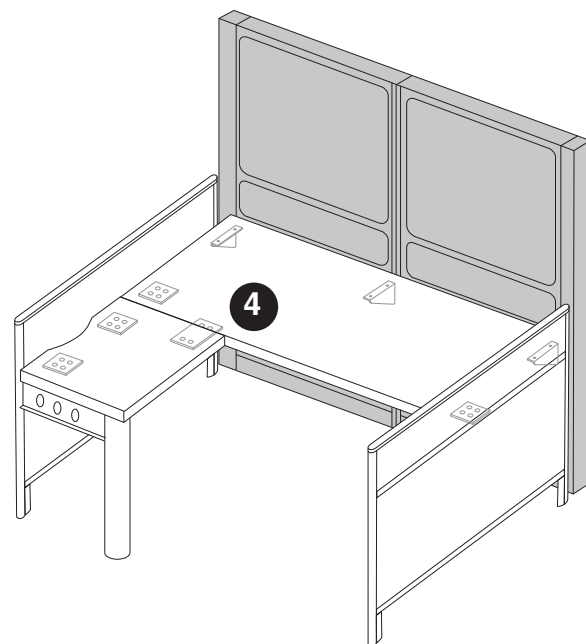
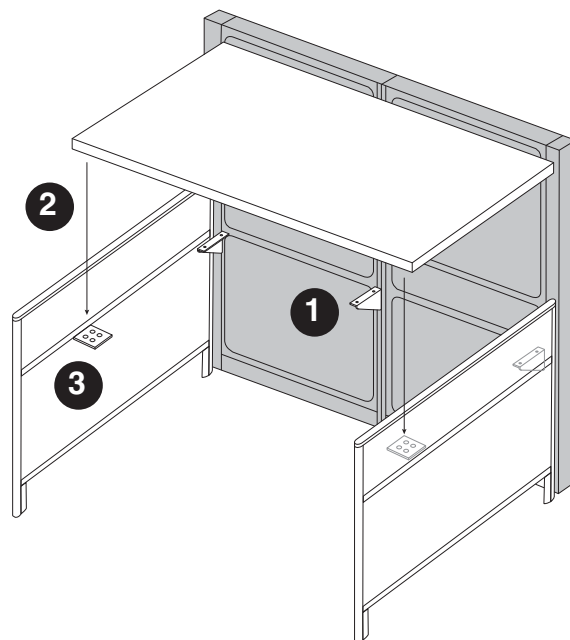
STEP 1: Install steel cantilevers BHC12 (left and right for both rear worksurface corners and one for the centre) in Boulevard panel vertical slots.

STEP 2: Position Boulevard worksurface over the cantilevers and while supporting it in a horizontal position, secure cantilevers to the worksurface.

STEP 3: While maintaining the support in the horizontal position, insert a Diet worksurface bracket into mid horizontal rail in adjacent Diet panel, rotate upward and secure with four supplied screws. Repeat the procedure on opposite side. (See page 8 for details)

STEP 4: If you are installing a perpendicular Diet worksurface / return, use Flat plates at the bottom as illustrated.

Follow procedures described in "Worksurface support" chapter to install Gable leg or pedestal at the end of the Diet panel.



INSTALLATION GUIDELINES

Off-Module Cantilever

STEP 1: Remove three top screws to separate horizontal arm.

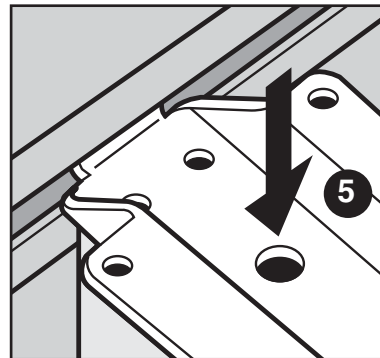
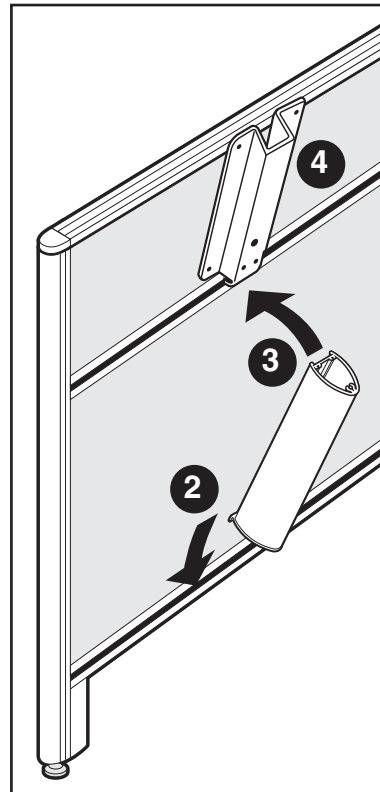
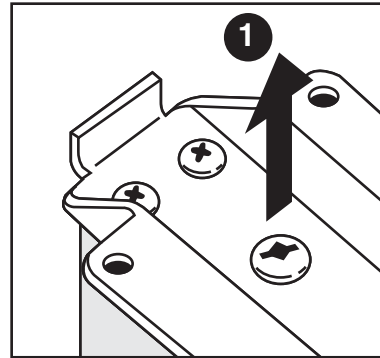
STEP 2: Engage bottom cantilever bracket into panels' bottom horizontal rail.

STEP 3: Bring cantilever's upright into vertical position.

STEP 4: Engage horizontal cantilever arm into panel's mid horizontal rail.

STEP 5: Align holes and replace three top screws.

Slide cantilever into desired position and proceed with installation or worksurfaces.



INSTALLATION GUIDELINES

Storage

Ensure that all panels are leveled and securely connected before proceeding with installation of storage units.

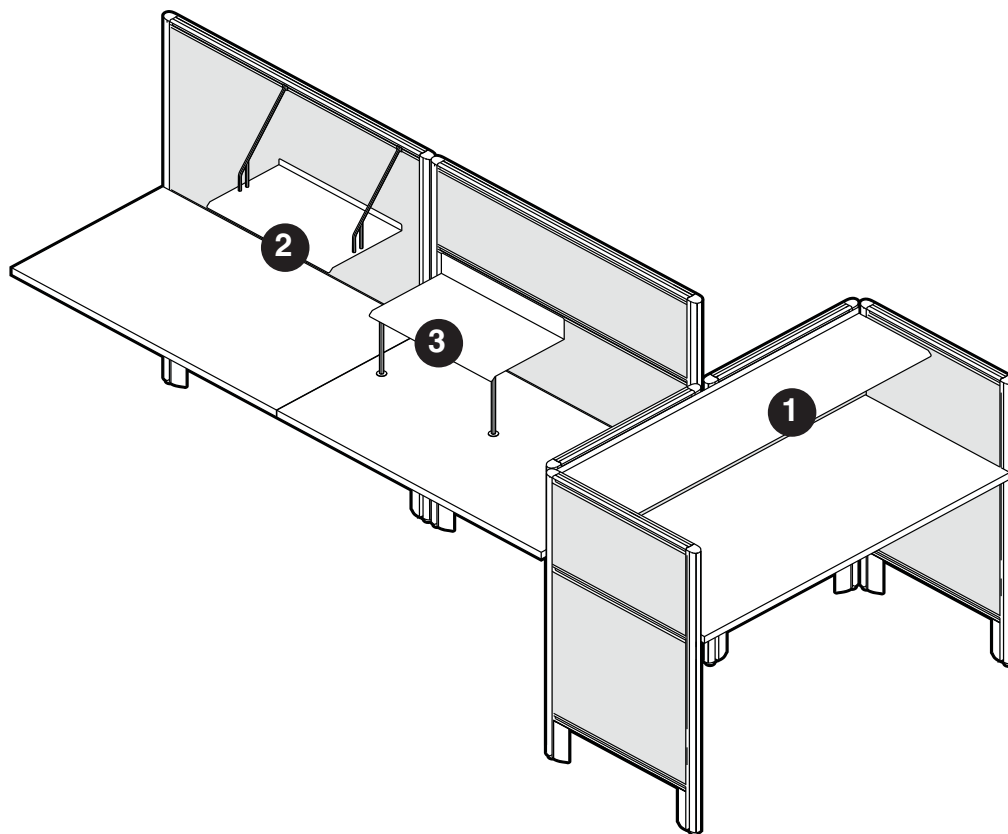
Determine type and location of individual storage units and stage them accordingly, as specified on your plan, in the proximity of their future location.

STEP 1: Open shelf

STEP 2: Off-module shelf

STEP 3: Panel / table shelf

STEP 7: Install individual free standing storage units as specified on your plan.



INSTALLATION GUIDELINES

Open Shelf

Open shelf must always be supported by three panels set in a “U” configuration.

The Open shelf can be installed into any horizontal, panel integrated rail, but it must never be installed on top of glazed, or semi-glazed panels.

The shelf is provided with two, permanently attached brackets at the back.

STEP 1: Insert both rear brackets into panel's horizontal rail while supporting the open shelf in a tilted position.

STEP 2: Once the shelf's brackets are securely seated inside of the rail bring the shelf into a level position.

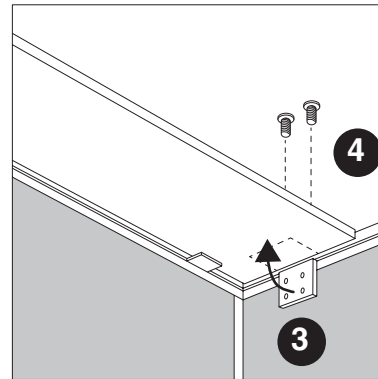
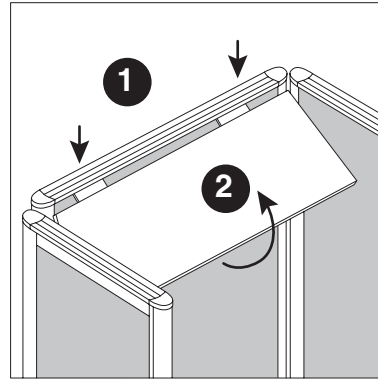
Have your assistant support the shelf in a horizontal position while you install side brackets.

STEP 3: Insert the bracket into horizontal rail in adjacent, perpendicular panel, rotate the bracket upward while making sure that it is securely seated inside of the rail.

STEP 4: Align the bracket with two holes in the shelf and secure it driving the supplied screws from the top, through the shelf and into the bracket.

Repeat the procedure to install the second bracket on the opposite side.

Check bracket attachments for safety. Make sure that all screws are properly tightened, but not stripped and the whole assembly is structurally sound to prevent dislodgement and potentially cause personal injury or property damage.



INSTALLATION GUIDELINES

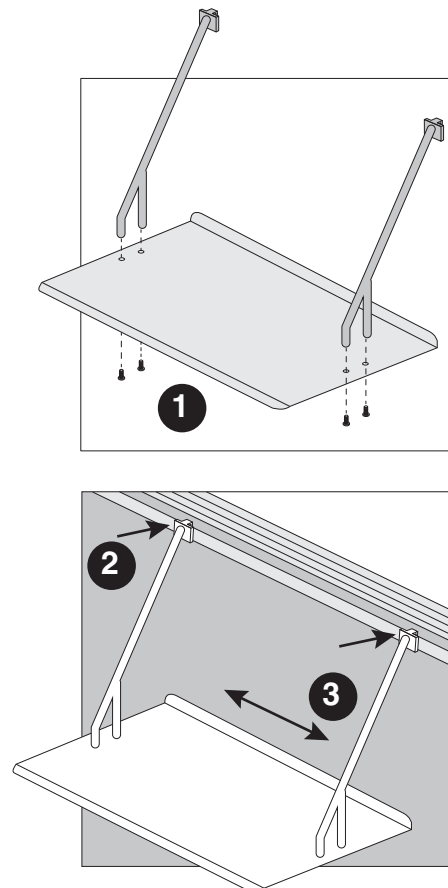
Off - Module Shelf

STEP 1: Secure a side hanging arm to either side of the shelf by driving supplied machine screws through the shelf, into the arms.

STEP 2: Insert top of the hanging arms into panel's top or mid horizontal rail.

STEP 3: Adjust side-to-side location and release.

Ensure that the hanging arms top is securely seated inside of the rail.



Off - Module Shelf

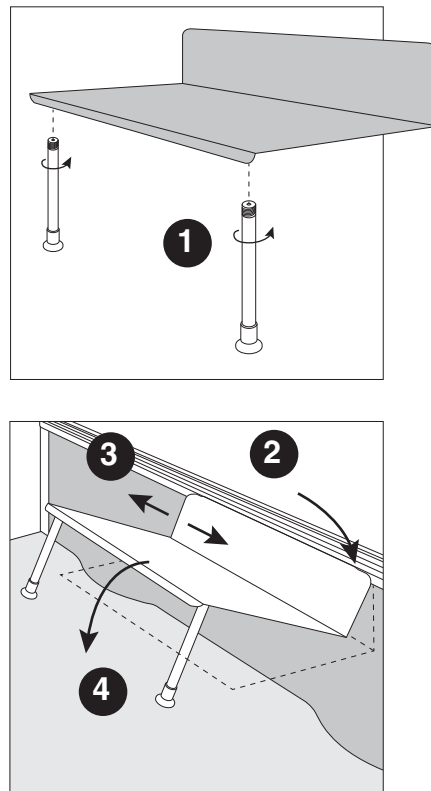
STEP 1: Drive shelf support feet with suction cups into threaded sockets underneath the shelf.

STEP 2: Insert the shelf's top horizontal flange into top horizontal rail (42" high panel only) or a slat wall panel element.

STEP 3: While still holding the shelf in angled position, slide it sideways to finalize its location.

STEP 4: Lower the front of the shelf to allow the support feet to rest on the worksurface.

NOTE: When using this shelf on a free standing panel and an independent, free standing table, use panel and table levelers to level the shelf. **WARNING:** This unit will not be safe nor functional when installed in a horizontal rail of any height without the use of the front support feet.



INSTALLATION GUIDELINES

DSADA Easy-Up Diet Overhead

When you order easy-Up Overhead for Diet System application, it arrives with assembled back panel and two handed, extended cantilevers. The actual installation is very straightforward but there are a few important preparation steps...

Identify workstations where the Overhead Unit is going to be installed and ensure that panels are leveled, square and properly supported.

The Overhead's load is distributed down to worksurfaces. Ensure that worksurface brackets are properly secured and that each worksurface end or joint is supported either by a perpendicular panel, pedestal, or a gable leg.

STEP 1: Insert rear lip of the extended cantilever into a vertical groove in panel's frame member.

STEP 2: Rotate the cantilever 90° so it becomes perpendicular to the panel.

STEP 3: Ensure that the rubber pad front of the cantilever rests firmly on the worksurface.

STEP 4: If workstation configuration allows for it, install/re-locate the worksurface supporting bracket directly beneath the extended cantilever's front contact point. Install flat worksurface bracket between adjacent worksurfaces supported by a gable leg.

STEP 5: Partially loosen the four acorn nuts at the bottom of the overhead.

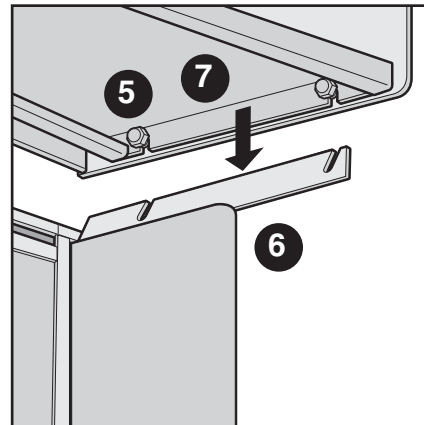
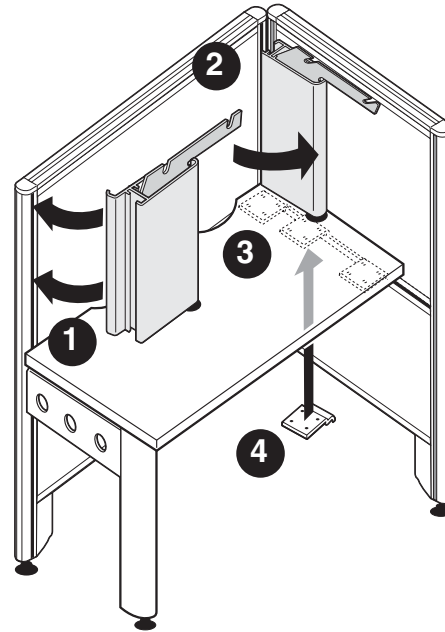
STEP 6: Position the overhead above the panel/cantilevers sub-assembly and lower it so that the cantilever's "arms" slide between the acorn nuts and the inner wall of the shelf.

STEP 7: Ensure that the overhead is completely seated on the extended cantilever and tighten all four acorn nuts.

Check closing and opening door function as well as the door lock.

Overhead storage units are factory assembled and inspected. Tension of the door mechanism is adjusted in accordance with the size and weight of the door.

Properly adjusted door mechanism will take over the weight of the door and lift it as soon as the door bottom is moved about 3 1/2"-4" above the bottom of the shelf. Should there be the need to fine-tune the door mechanism, please follow the Fine Tuning Instructions on the next page



INSTALLATION GUIDELINES

Fine Tuning

The Overhead Storage Units are factory assembled and inspected. Tension of the door mechanism is adjusted in accordance with the size and the weight of the door.

1) Properly adjusted door mechanism will take over the weight of the door and lift it as soon as the door bottom is moved

about 3 1/2" - 4" above the bottom of the shelf. Should there be the need to fine tune the door mechanism, proceed as follows:

Check that the unit is properly installed and the assembly is square on the extended cantilevers.

Remove internal covers by pushing two tabs (protruding through the bottom shelf) up, then moving the bottom of the internal cover away from the side wall.

2) To reduce tension, move springs on both sides of the unit onto the next pin, closer to the central pivot point of the door arm.

3) Similarly, to increase the tension, move the springs on both sides of the unit onto the next pin, further away from the central pivot point of the door arm.

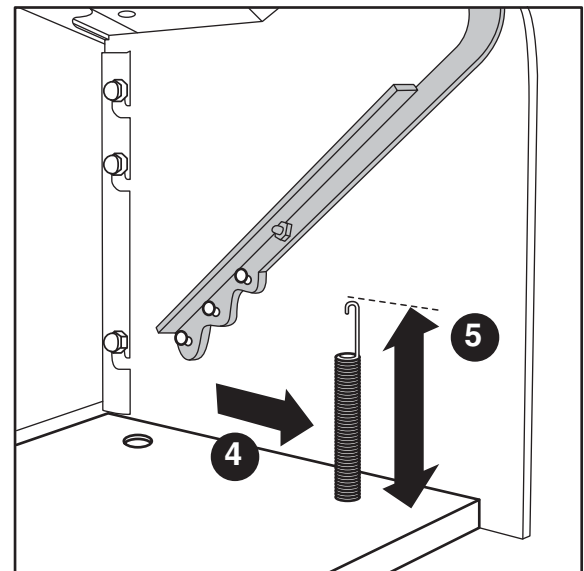
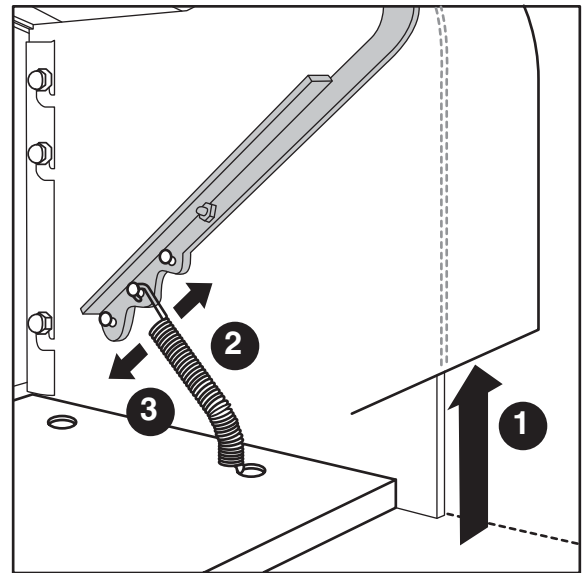
4) Further adjustments may be done by disengaging springs from the arm, sliding them forward into the larger opening in the shelf and by re-inserting the spring again at longer or shorter position, as required.

5) Set both springs with hooks pointing toward the back of the unit. Measure the height of each spring to ensure that both are exactly the same length (fine adjustments can be made by turning the springs in or out).

IMPORTANT:

Spring adjustments must be done on both sides of the overhead to prevent the door from twisting and jamming.

Check closing and opening door function as well as the door lock. Re-install the inner covers and ensure that the internal door mechanism arm is not rubbing covers's sides.



THE GLOBAL GROUP SHOWROOM

1350 Flint Road, Toronto, Ontario, M3J 2J7
Sales & Marketing • TEL: 1-877-446-2251 • FAX: 416-667-0338
Customer Service • TEL: 416-739-5000 • FAX: 800-361-3182

VANCOUVER SHOWROOM

3823 Still Creek Avenue Burnaby, BC, V5C 4E2 • TEL: 604-432-1701

EDMONTON SHOWROOM

17716 107 Avenue NW Edmonton, AB, T5S 1G8 • TEL: 780-444-8922

CALGARY SHOWROOM

302 - 237 8 Avenue SE Calgary, AB, T2G 5C3 • TEL: 403-250-7770

WINNIPEG SHOWROOM

1-1080 Waverley Street N Winnipeg, MB, R3T 5S4 • TEL: 204-925-3350

OTTAWA SHOWROOM

251 Laurier Avenue West, 4th Floor, Ottawa, ON, K1P 5T6

MONTREAL SHOWROOM

980 St-Antoine rue Ouest Montreal, bureau 200, QC, H3C 1A8 • TEL: 514-866-4331

HALIFAX SHOWROOM

1310 Hollis Street, Suite 150, Halifax, NS, B3J 3P3 • TEL: 902-422-7434

QUEBEC SHOWROOM

Complex Lebourgneuf 2, 815, boul. Lebourgneuf, Suite 502 Quebec, QC, G2JOC1 • TEL: 418-653-6111

GLOBAL *Contract*

Visit us on the Internet at globalcontract.com