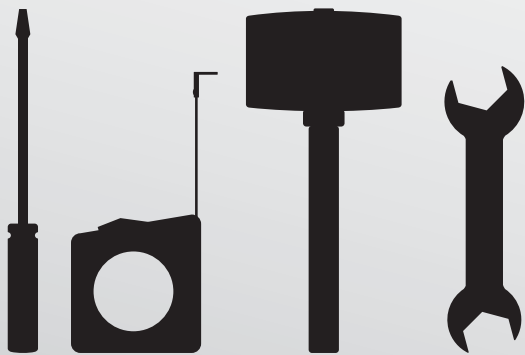


b-Stor Installation Manual

2012



GLOBAL *Contract*

OHSAS 18001:2007

ISO 9001:2015

ISO 14001:2015

Global Contract Inc. 565 Petrolia Road
North York, Ontario, M3J 2X8

Visit us on the Internet at globalcontract.com • (416) 739-5000

INSTALLATION GUIDELINES

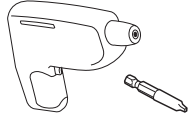
b-Stor

Required Tools

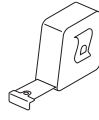
Safety Glasses



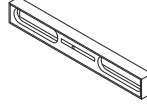
Drill with #2 Robertson Bit



Measuring Tape



Level



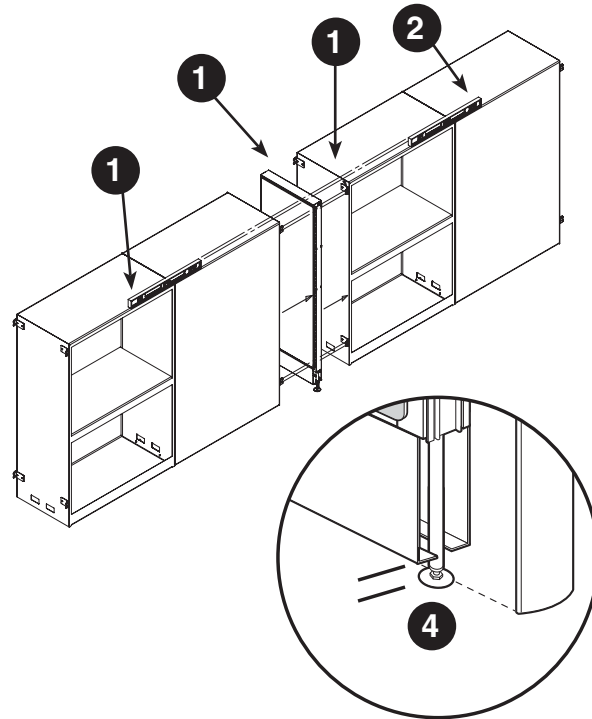
b-Stor - Two Lateral Cabinet and Panel Assembly Instructions

STEP 1: Install the mounting brackets onto the cabinets. The brackets should be flush with the front edge of the cabinet both at the front and back. The top bracket should be mounted 1 3/8" below the top edge and the bottom bracket should be mounted 46 3/8" from the top edge.

STEP 2: Position the Cabinets.

STEP 3: Using the leveling guides, lower the 18" panel onto the cabinet attached brackets. Make sure the hooks are fully engaged in the panel slots and the top of the panel (including the top trim) aligns with the tops of the cabinets.

STEP 4: Check to ensure that the panel and the cabinet are level so the connection is true and square.



Please contact your Global Contract Service Representative at 416-739-5000 for any questions or concerns.

NOTE: Any alterations to listed components will void the manufacturer's warranty. The manufacturer will not be responsible for any damage or bodily harm caused by alterations in accordance with national or local electrical codes and manufac-

turer's specifications. In accordance with the manufacturer's policy of continual product improvement, the product presented in this document is subject to change without notice or obligation.24

INSTALLATION GUIDELINES

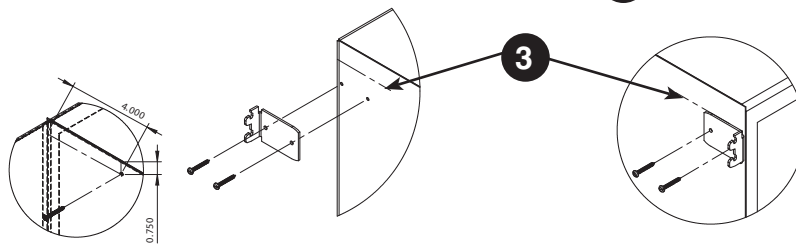
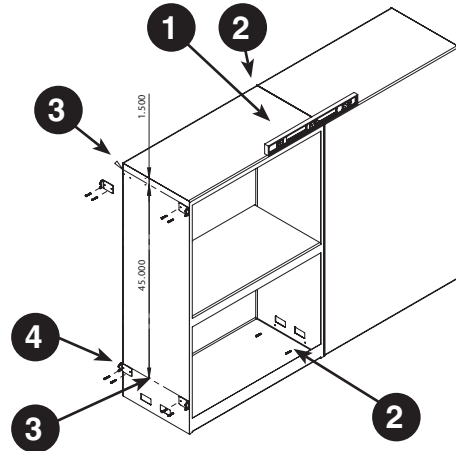
b-Stor - Two Lateral Cabinet Assembly Instructions

STEP 1: Once the lateral cabinets are in their final position, level both cabinets so they are flush with each other.

STEP 2: Attach the cabinets together by screwing through the side walls using four supplied self-drilling screws. The screws at the top should be located approximately 3/4" from the top and the screws on the bottom, should be 4"-5" from the bottom of the cabinet. All screw locations should also be positioned approx. 4"-5" from the front and back of the cabinets.

STEP 3: Install the mounting brackets onto the cabinets. The brackets should be flush with the front edge of the cabinet both at the front and back. The top bracket should be mounted exactly 1 3/8" from the top edge. The bottom brackets should be mounted exactly 46 3/8" from the top edge.

STEP 4: Once the bracket locations have been determined attach the brackets using the supplied self-drilling screws with the hooks in an upright position



b-Stor - Storage Cabinet with Pass Through Cables

STEP 1: Raceway covers must be removed to allow installation. (See Raceway Cover Removal)

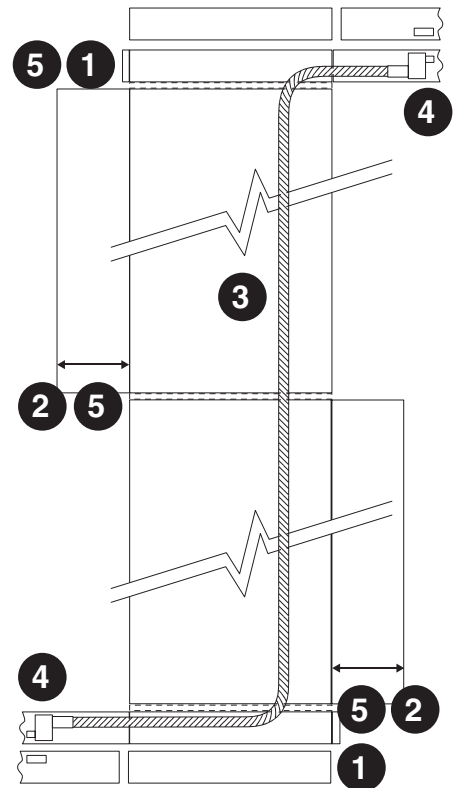
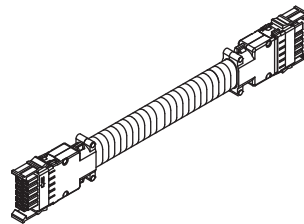
STEP 2: Pull out bottom drawers of both Storage Cabinets.

STEP 3: Position Pass-Through Cable EVE8CPxx between the appropriated Power Distribution Housing by sliding it through two Storage Cabinets.

STEP 4: Orient the Pass-Through Cable connectors (arrows with "N" mark must be oriented up) and plug them into Power Distribution Housings connectors. Be sure the parts are fully seated and latched to ensure proper electrical connection and mechanical security

STEP 5: Replace the raceway covers and drawers.

NOTE: BE8CPxxHH - standard Pass-Through Cables which are used for electrical connection of the Power Distribution Housings in two powered panels separated by two non-powered Storage Cabinets (xx=94 for two 30" Cabinets, xx=118 for two 36" Cabinets)



INSTALLATION GUIDELINES

Raceway Cover Removal

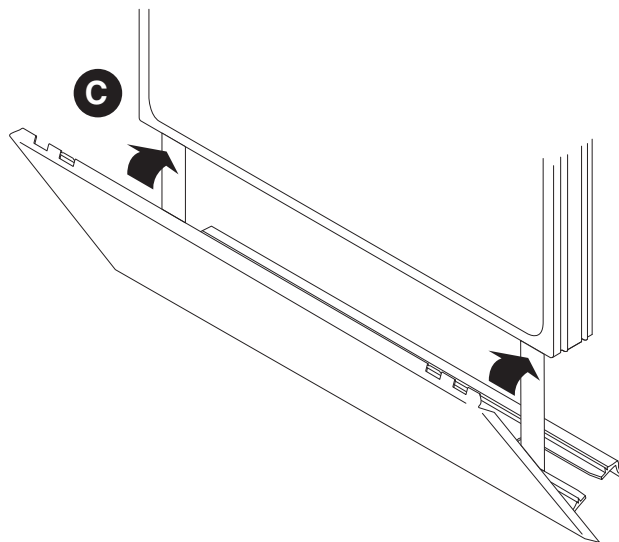
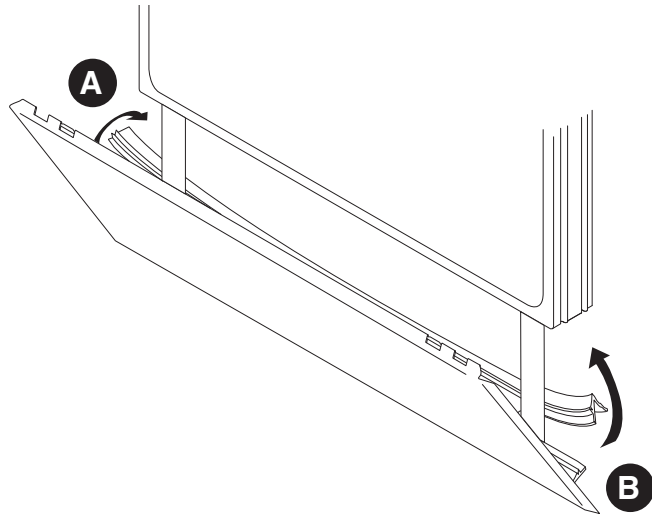
STEP 1: Remove, completely, the raceway cover assembly from the 18" panel that will reside in the middle of a run of b-Stor Pass Through Cabinets.

STEP 2: Remove the inside metal raceway covers from the two 18" wide panels that will be positioned at the ends of the run of b-Stor Pass Through Cabinets.

A: Bend back the two plastic raceway base fingers far enough to go inside of the leveler glide stems (as shown 1&2).

B: Position the raceway cover assembly so that the base fingers surround the leveler glide stems.

C: Close the raceway cover (as shown).



THE GLOBAL GROUP SHOWROOM

1350 Flint Road, Toronto, Ontario, M3J 2J7
Sales & Marketing • TEL: 1-877-446-2251 • FAX: 416-667-0338
Customer Service • TEL: 416-739-5000 • FAX: 800-361-3182

VANCOUVER SHOWROOM

3823 Still Creek Avenue Burnaby, BC, V5C 4E2 • TEL: 604-432-1701

EDMONTON SHOWROOM

17716 107 Avenue NW Edmonton, AB, T5S 1G8 • TEL: 780-444-8922

CALGARY SHOWROOM

302 - 237 8 Avenue SE Calgary, AB, T2G 5C3 • TEL: 403-250-7770

WINNIPEG SHOWROOM

1-1080 Waverley Street N Winnipeg, MB, R3T 5S4 • TEL: 204-925-3350

OTTAWA SHOWROOM

251 Laurier Avenue West, 4th Floor, Ottawa, ON, K1P 5T6

MONTREAL SHOWROOM

980 St-Antoine rue Ouest Montreal, bureau 200, QC, H3C 1A8 • TEL: 514-866-4331

HALIFAX SHOWROOM

1310 Hollis Street, Suite 150, Halifax, NS, B3J 3P3 • TEL: 902-422-7434

QUEBEC SHOWROOM

Complex Lebourgneuf 2, 815, boul. Lebourgneuf, Suite 502 Quebec, QC, G2JOC1 • TEL: 418-653-6111

GLOBAL *Contract*

Visit us on the Internet at globalcontract.com